

# INSTALLATION PLAN

PG 8130  
PG 8133

---

It is **essential** to read the operating instructions as well as the service documentation before the machine is installed or used for the first time.

en - US

## Installation notes

---

**Please read and observe the operating instructions and the service documents regarding installation and setting up of this dishwasher.**

### Installation requirements

This dishwasher must be installed by a **suitably qualified person with the appropriate electrical and plumbing qualifications** in accordance with the installation instructions supplied.

This dishwasher must be installed in accordance with all applicable standards and guidelines, including legal requirements and health and safety regulations.

The machine must be **commissioned** and operatives trained in its use by Miele Technical Service or by an approved Miele Service Partner only.

### Electrical connection

Connection to the electrical supply must be in accordance with valid legal requirements, health and safety regulations, and applicable standards. The power cord must be protected from the risk of thermal damage.

We recommend connecting the dishwasher to the power supply via a suitable **plug and socket** as this will make it easier to carry out the electrical safety test during commissioning and after any service work.

For **hard-wired** dishwashers, connection must be via a main switch to be provided on site, which must completely isolate the machine from the power supply with a contact gap of at least 1/8 " (3 mm).

The plug, socket, and main switch must be easily accessible once the dishwasher has been installed.

### Equipotential bonding and grounding

For added safety, the dishwasher should be protected with a **residual current device** with a trip current of 30 mA.

**Equipotential bonding should be carried out if required.** The screw connection point for equipotential bonding is located at the back of the dishwasher. Equipotential bonding and grounding must be carried out before the machine is commissioned.

### Water connection

The machine can be plumbed in to the cold water, hot water, and drainage points without a **backflow protection device**. The shut-off valves for the water lines must be easily accessible.

The dishwasher can be connected to both cold water and hot water points.

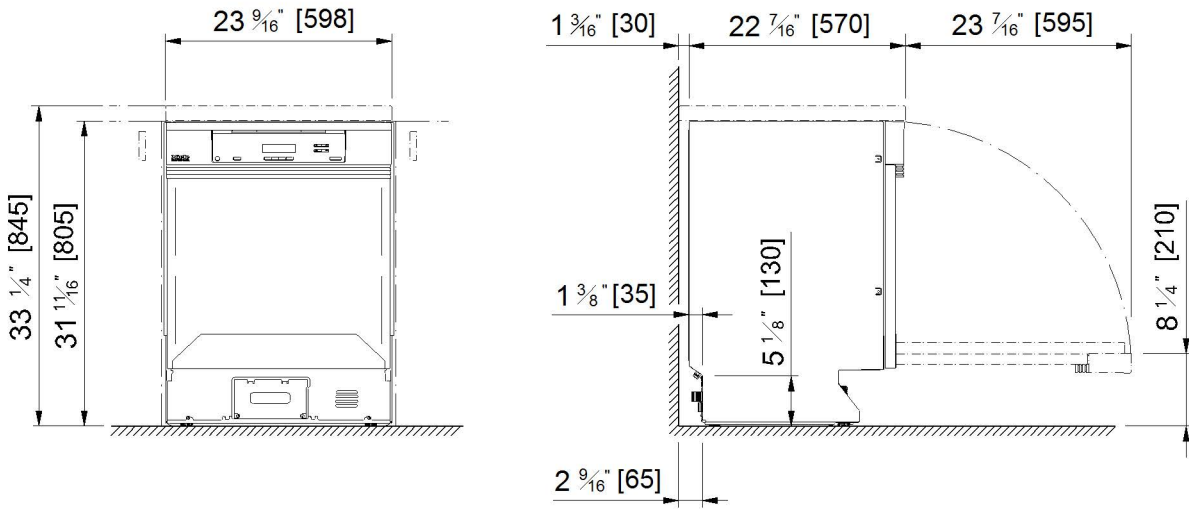
### Surrounding area

**Condensate** can build up in the area surrounding the dishwasher. Any cabinetry and fittings in the room must therefore be suitable for purpose. If the machine is fitted under a suitable countertop (built-under and integrated models), the stainless-steel steam protector provided must be fitted above the door aperture to protect the countertop from moisture damage. A matching steam protector is also available for order at a later date from Miele Technical Service.

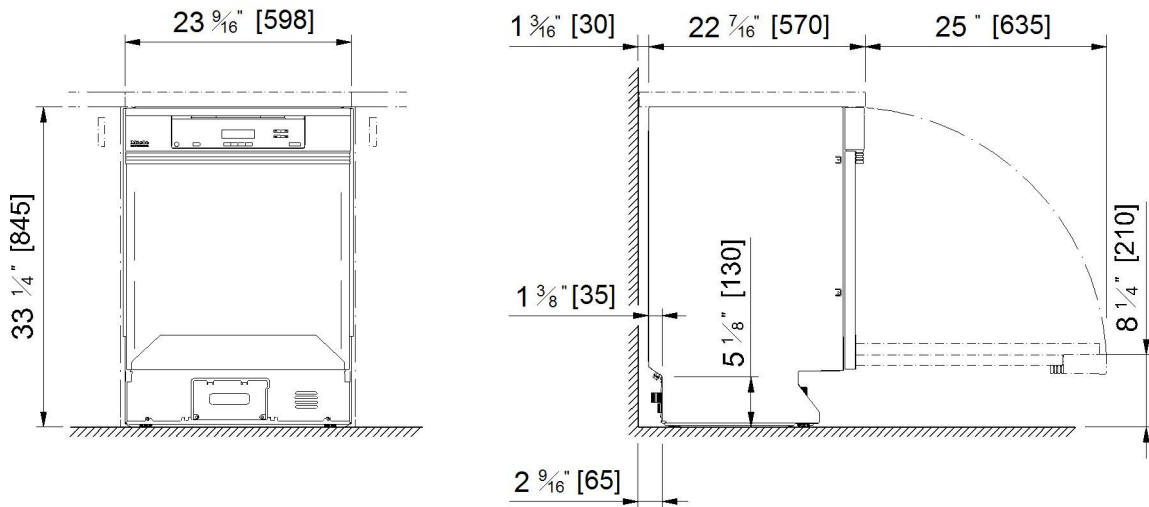
**Connecting an external dispensing system** A dispensing system for liquid detergent and rinse aid can be connected at the back of the machine.

# Dimensions

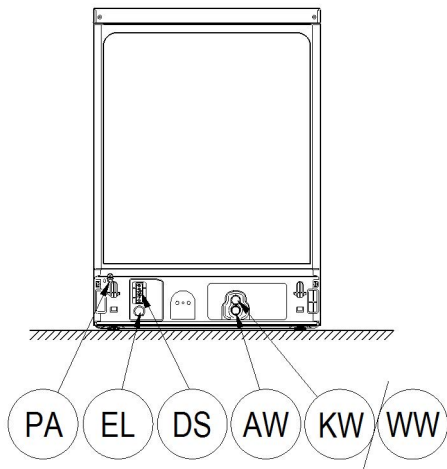
## PG 8130 dimensions



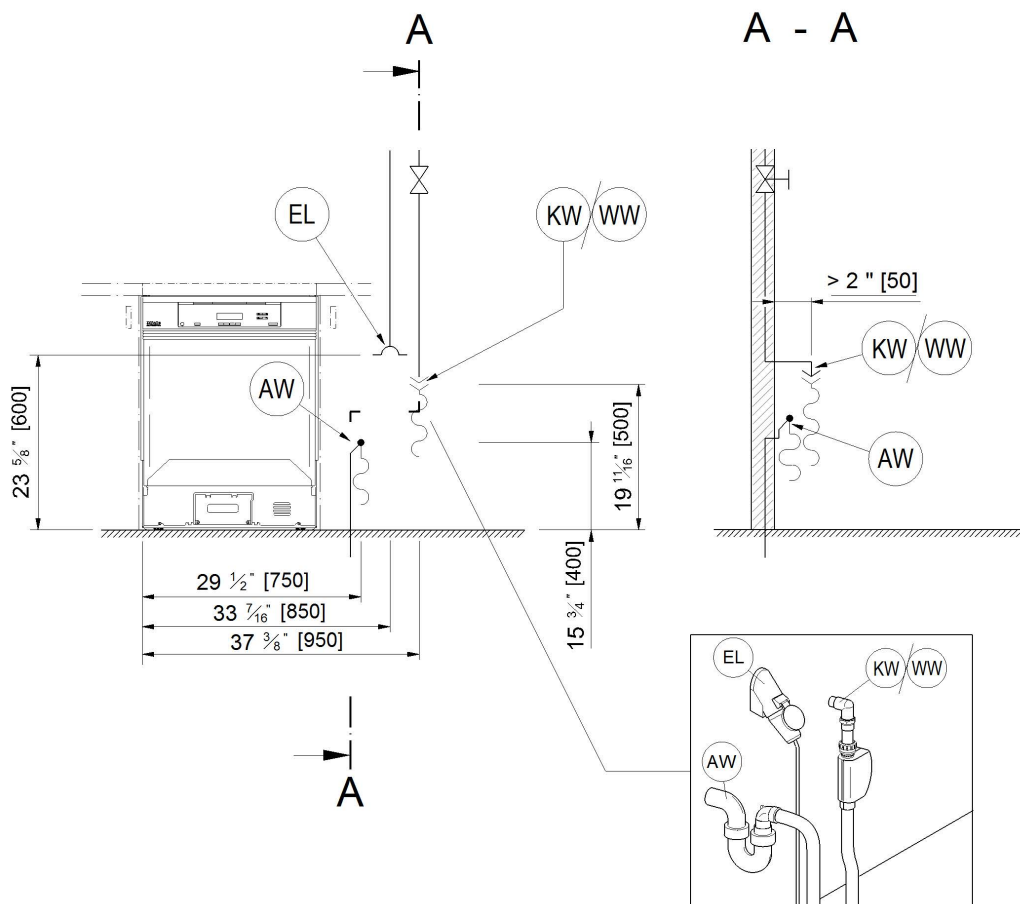
## PG 8133 XXL dimensions



## Connections at the back of the machine



## On-site connections



KW/WW Connection to cold or hot water

AW Drain connection

DS External dispensing

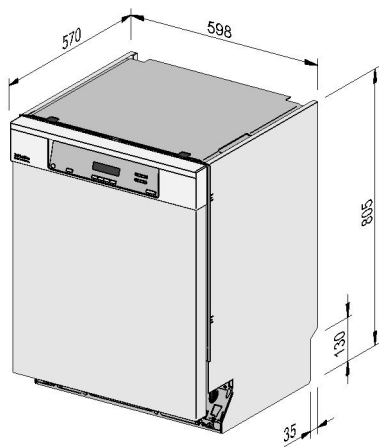
EL Electrical connection

PA Equipotential bonding

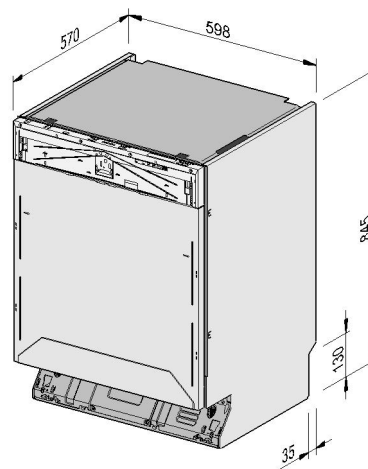
# Dimensions

---

## Machine versions



PG 8130 U/i



PG 8133 SCVi XXL

### Electrical connection

Voltage (as delivered)	AC 120/240V 60Hz
Power rating	4.2 kW
Fuse	2 pole x 30 Amp
Power cord, min. cross-section	4 x AWG 10 4 x 5.2 mm <sup>2</sup>
Length of power cord (H05(07)RN-F) with NEMA 14-30P plug	approx. 7'9" approx. 2.4 m
Voltage (convertible)	AC 120V/60Hz
Power rating	1.5 kW
Fuse	15 Amp
Power cord, min. cross-section	3 x AWG 14 3 x 2 mm <sup>2</sup>
Length of power cord with NEMA 5-15P plug	approx. 7'9" approx. 2.4 m
Voltage (convertible)	AC 120/208V 60Hz
Power rating	3.5 kW
Fuse	2 pole x 30 Amp
Power cord, min. cross-section	4 x AWG 10 4 x 5.2 mm <sup>2</sup>
Length of power cord (H05(07)RN-F) with NEMA 14-30P plug	approx. 7'9" approx. 2.4 m

## Technical data

---

### Water connection

Max. temperature	140°F 60°C
Max. water hardness	38 gpg 36 °dH
On-site water pressure	4.4 - 145 psi 30-1000 kPa
Recommended flow pressure	29 psi 200 kPa
On-site threaded union in accordance with DIN 44991 (flat sealing)	3/4" Male Garden Hose Thread
Length of cold water inlet hose	4'9" 1.5 m

### Drain water

Drain water temperature	167°F 75°C
Standard length of drain hose	4'9" 1.5 m
Max. drainage length of drain hose	13'1" 4,0 m
Max. drain pump head height from base of machine	3'3" 1,0 m
Max. transient drain hose delivery	4.2 gal/min 16 L/min
On-site hose sleeve (ext. dia. x l)	7/8" x 1 3/16" 22 x 30 mm
Internal diameter of drain hose	7/8" 22 mm

### Ambient conditions

Permitted temperature range in operation	41 - 104°F 5-40°C
Max. relative humidity up to 88°F	80%
Rel. humidity, declining proportionally to 104°F	50%
Permitted temperature range during transport	-4-140°F -20-60°C
Permitted relative humidity during transport	10-85%
Permitted air pressure during transport	500-1060 hPa
Max. altitude above sea level	6561 ft 2000 m



## Machine feet

Foot height adjustment	2 9/16" 65 mm
Foot diameter	1 3/16" 30 mm
Insert for machine foot, size of thread	13/16" 20 mm

## Machine data

Building-under height of PG 8130	31 11/16" 805 mm
Building-under height of PG 8133 XXL	33 1/4" 845 mm
Width	23 9/16" 598 mm
Depth	22 7/16" 570 mm
Door height of PG 8130	25 9/16" 650 mm
Door height of PG 8133 XXL	27 3/16" 690 mm
Weight of PG 8130i	121 lbs 54,7 kg
Weight of PG 8133 SCVi XXL	123 lbs 56,0 kg
Dynamic floor load	1000 N
Min. access width incl. transport pallet	26 3/8" 670 mm
Min. access depth incl. transport pallet	27 3/16" 690 mm
Min. access height incl. transport pallet	38 3/16" 970 mm
Sound emission values in dB (A) Sound power level LpA during cleaning and drying phases (ECO program)	45 dB (A)

Please have the model and serial number  
of your machine available when  
contacting Technical Service.

---



**U.S.A.**

**Miele, Inc.**

**National Headquarters**

9 Independence Way  
Princeton, NJ 08540  
Phone: 800-991-9380  
Fax: 609-419-4241  
[www.miele-pro.com](http://www.miele-pro.com)  
[proinfo@mieleusa.com](mailto:proinfo@mieleusa.com)

**Technical Service & Support**

Phone: 800-991-9380  
Fax: 800-220-1348  
[proservice@mieleusa.com](mailto:proservice@mieleusa.com)

