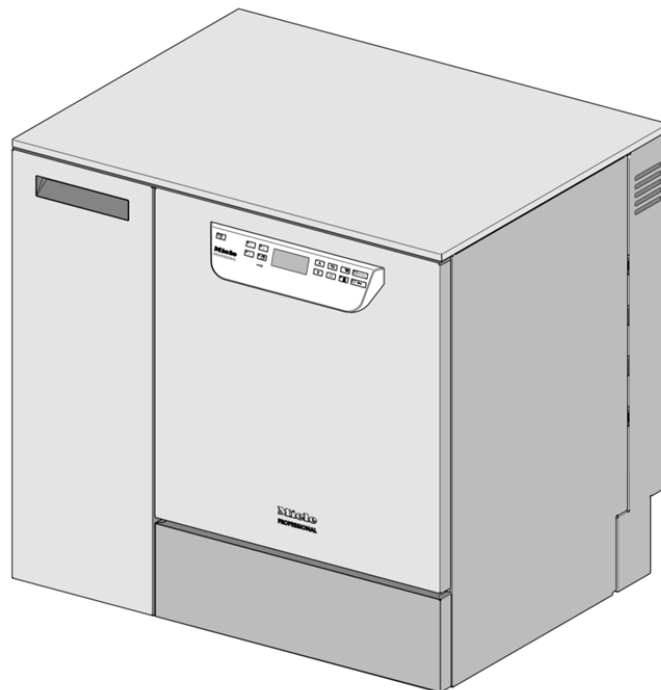


Installation Plan



Laboratory Glassware Washer

PG 8583 CD

M.-Nr. 10 341 990

en - US

Installation Instructions



Please read and observe the instructions in the operating instruction manual and the service documents regarding installation and setting up of this laboratory glassware washer.

Installation requirements

Installation should only be carried out by authorized installers in accordance with valid regulations, relevant standards and health and safety codes.
The machine must be commissioned and operators trained in its use by Miele Service or by an approved Miele Service Partner only.

Environmental requirements

Condensate can build up in the area surrounding the machine. Any cabinetry and fixtures in the room must be suitable.
If the machine is installed under a countertop (built-under model), a stainless steel panel must be installed above the door opening to protect the countertop from moisture damage. A suitable stainless steel cover plate is available to order from Miele.

Electrical connection

Connection to the electrical supply must be carried out in accordance with local and national safety regulations. The power cord must be protected from the risk of thermal damage.
It is recommended to make an electrical connection via a plug and socket so that electrical safety checks can be carried out easily. The socket must be accessible after machine installation.
For hard-wired machines, a main switch must be provided on site, which must completely isolate the machine from the power supply with a contact gap of at least 1/8" (3 mm).
The plug and socket as well as the main switch must be easily accessible after the machine has been installed.

Equipotential bonding and earthing

For added safety the machine should be protected with a residual current device with a trip current of 30 mA.
If necessary, an equipotential bond with good contact connection must be provided in accordance with all appropriate national and local regulations.
Equipotential bonding and grounding must be completed before the machine is commissioned.

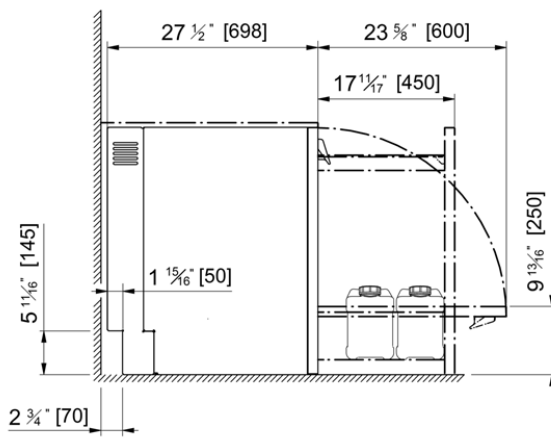
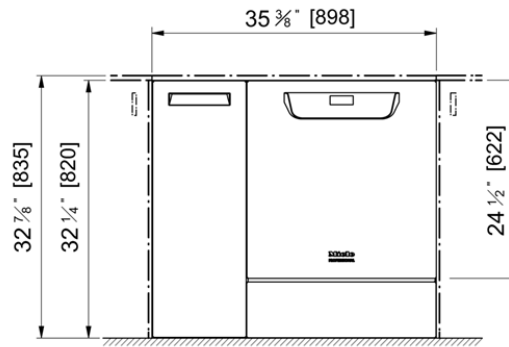
Plumbing

The machine can be plumbed in to the cold water, hot water, demineralized water and drainage points without a backflow protection device.
Use the Y-connector supplied with the machine to connect the water intake to the machine (KW) and the steam condenser (DK). Alternatively, you can provide an additional cold water supply to connect to the steam condenser.

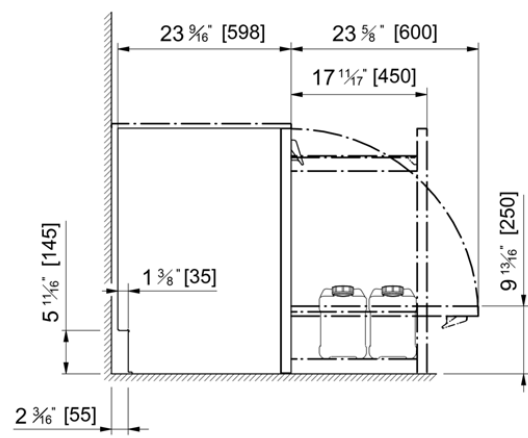
Communication modules

Ethernet and RS232 communication modules are available as optional extras. They are not supplied with the machine. The fuse box for the modules should be installed near the machine for transferring and printing process data. They must be installed and connected in accordance with local codes and standards.

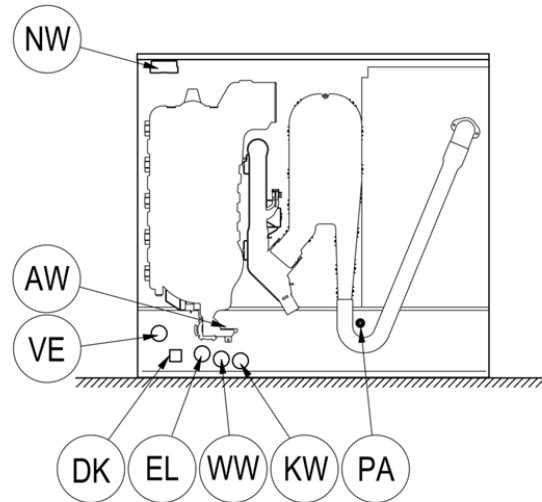
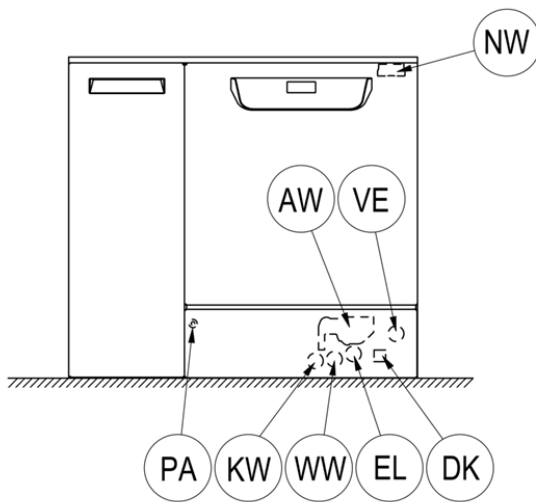
Dimensions



Dimensions: standard depth

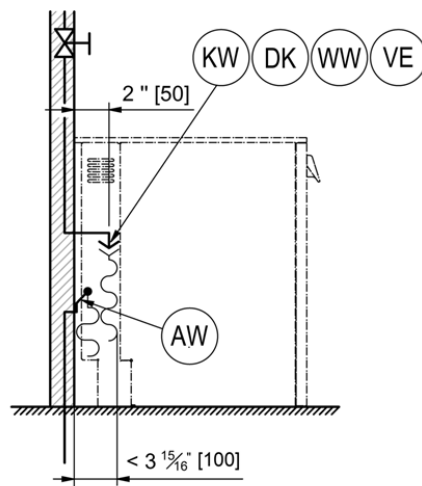
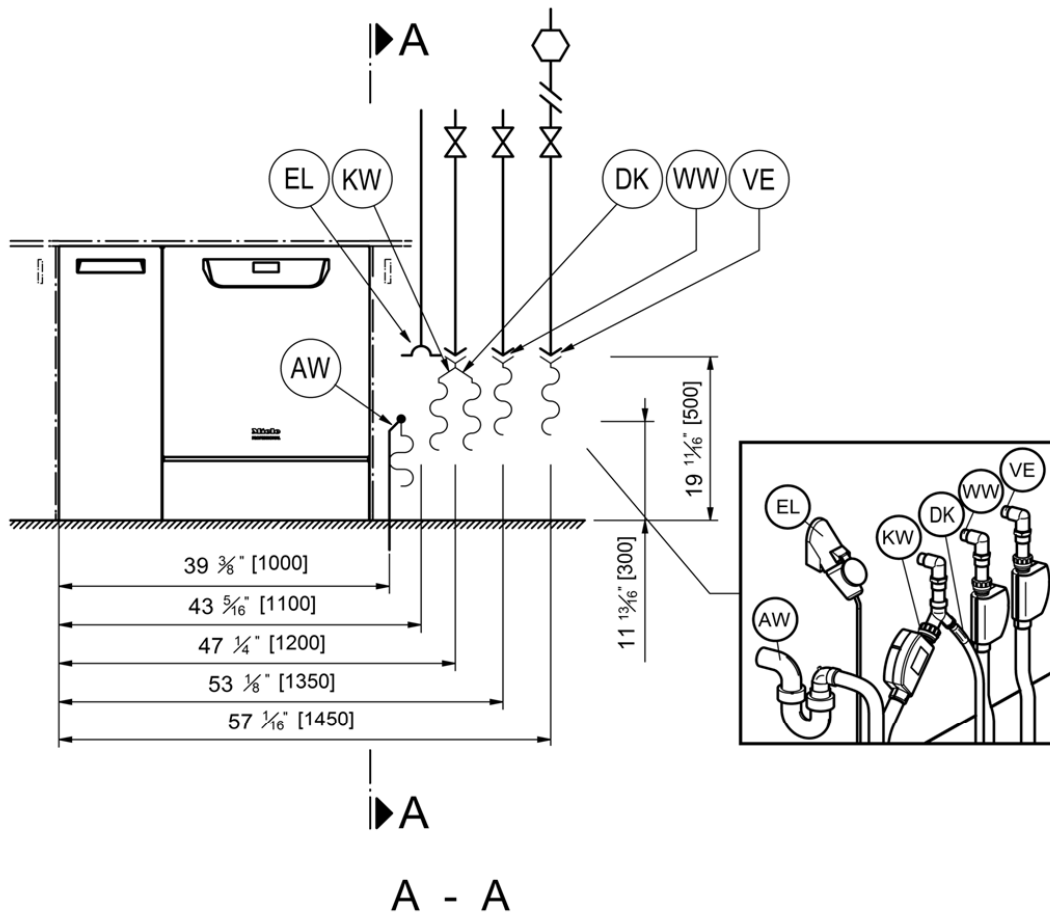


Dimensions: decreased depth



EL	Electrical connection	WW	Hot water connection
KW	Cold water connection	AW	Drain water
DK	Cold water connection, steam condenser	VE	Demineralized water connection
NW	Network and printer connection (optional)	PA	Equipotential bonding

Connection Points



EL	Electrical connection	WW	Hot water connection
KW	Cold water connection	AW	Drain water
DK	Cold water connection, steam condenser	VE	Demineralized water connection
NW	Network and printer connection (optional)	PA	Equipotential bonding

Electrical Connection

Voltage (default)	3 AC 208V 60 Hz	3 AC 208V 60 Hz
Rated load	6.2 kW	6.2 kW
Fuse rating	3 pole 20 Amp	3 pole 20 Amp
Minimum cross-section	4 × AWG 12	4 × 3.3 mm ²
Length of electrical cord (UL 921) with plug	approx. 5'9"	approx. 1.8 m
Electrical connection	NEMA L15-20	NEMA L15-20
Voltage (convertible)	2 AC 208V 60 Hz	2 AC 208V 60 Hz
Rated load	6.2 kW	6.2 kW
Fuse rating	2 pole 30 Amp	2 pole 30 Amp
Minimum cross-section	3 × AWG 10	3 × 5.2 mm ²
Length of electrical cord (UL 921) with plug	approx. 5'9"	approx. 1.8 m
Electrical connection	NEMA L6-30	NEMA L6-30

Cold Water Connections* (KW+DK)

Max. temperature	68 °F	20 °C
Max. water hardness	73 gpg	70 °dH
Min. flow pressure	29 psi	200 kPa
Min. flow pressure with extended water intake	14.5 psi	100 kPa
Max. pressure	145 psi	1,000 kPa
Throughput	2 gal/min	7.5 l/min
Connection thread - on site (flat sealing)	3/4" Male Garden Hose Thread	3/4" Male Garden Hose Thread
Length of connection hose (supplied)	approx. 5' 7"	approx. 1.7 m
Length of the steam condenser hose	approx. 5' 7"	approx. 1.7 m

* Two cold water connections required: Use supplied Y-adapter if only one cold water connection is available.

Hot Water Connection (WW)

Max. temperature	150 °F	65 °C
Max. water hardness	73 gpg	70 °dH
Min. flow pressure	29 psi	200 kPa
Min. flow pressure with extended water intake	5.8 psi	40 kPa
Max. pressure	145 psi	1,000 kPa
Throughput	2 gal/min	7.5 l/min
Connection thread - on site (flat sealing)	3/4" Male Garden Hose Thread	3/4" Male Garden Hose Thread
Length of connection hose (supplied)	approx. 5' 7"	approx. 1.7 m

Demineralized Water (VE)

Max. temperature	150 °F	65 °C
Min. flow pressure	29 psi	200 kPa
Min. flow pressure with extended water intake	4.4 psi	30 kPa
Max. pressure	145 psi	1,000 kPa
Connection thread - on site (flat sealing)	3/4" Male Garden Hose Thread	3/4" Male Garden Hose Thread
Throughput	2 gal/min	7.5 l/min
Length of connection hose (supplied)	approx. 5' 7"	approx. 1.7 m

Machines with a booster pump for demineralized water are only suitable for connection/use with a non-pressurized system.

Minimum flow pressure (DI unpressurized)	1.3 psi	8.5 kPa
Maximum pressure (DI unpressurized)	8.7 psi	60 kPa
Machine connection nipple (outer dia. x l)	1/4" x 3/16"	6 mm x 30 mm

Drain Water (AW)

Drainage temperature	200 °F	93 °C
Length of drain hose	approx. 4' 11"	approx. 1.5 m
Drain hose, max. drainage length	approx. 13' 1"	approx. 4.0 m
Drain pump head height from floor level, max.	approx. 3' 3"	approx. 1 m
Drain hose delivery, max.	4.2 gal/min	16 l/min
On-site hose connector (external diameter x length)	7/8" x 1 3/16"	22 mm x 30 mm

Machine Feet

Height adjustable	0-5/16"	0-8 mm
Foot diameter	1 3/8"	35 mm
Entry point into housing	8 M	8 M

Machine Data

Height	32 7/8"	835 mm
Height without lid	32 5/16"	820 mm
Width	35 3/8"	898 mm
Depth	27 1/2"	698 mm
Depth (decreased)	23 7/16"	595 mm
Door height	24 1/2"	622 mm
Net weight	216 lbs	98 kg
Dynamic floor load	2,000 N	2,000 N
Width including transport pallet	46 1/16"	1,170 mm
Depth including transport pallet	29 1/8"	740 mm
Height including transport pallet	39 3/8"	1,000 mm
Sound emissions in dB (A), Sound pressure LpA, washing and drying	< 70 dB	< 70 dB

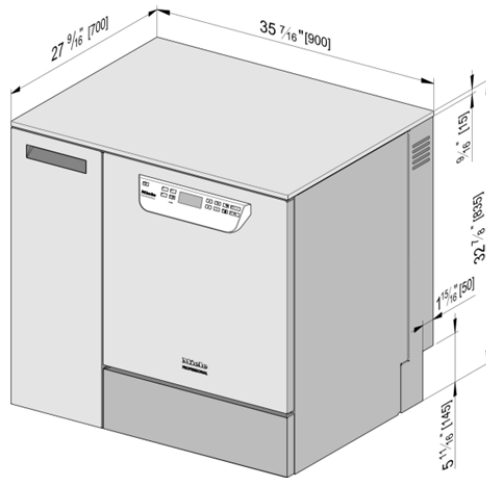
Heat Dissipation to Room

Heat transfer by emission	1,194 btu/h	0.35 kWh/h
Load on removal	1,365 btu/h	0.40 kWh/h

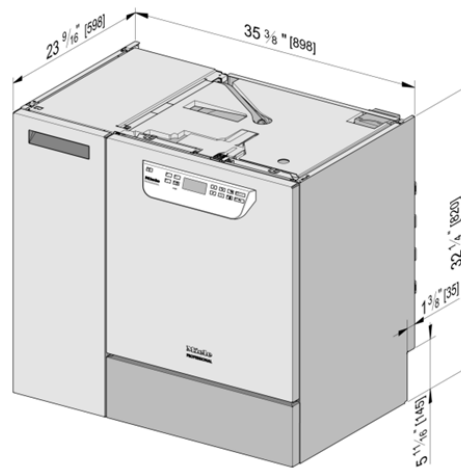
Set-up Conditions

Ambient temperature	40-105 °F	5-40 °C
Max. humidity	80%	80%
Rel. humidity, declining proportionally up to 104°F (40°C)	50%	50%
Max. altitude above sea level	6,560'	2,000 m

Machine Versions



Standard model



Undercounter model with decreased depth and without lid



**U.S.A.
Miele, Inc.**

National Headquarters

9 Independence Way
Princeton, NJ 08540
Phone: 800-991-9380
Fax: 609-419-4241
www.miele-pro.com

**Technical Service & Support
Nationwide**

Phone: 800-991-9380
Fax: 800-220-1348
proservice@mieleusa.com