

Installation Plan  
**Tumble dryer**



PT 8507 D (Steam Heated)

en - US

---

**U.S.A.**

**Miele, Inc.**

**National Headquarters**

9 Independence Way  
Princeton, NJ 08540

Phone: 800-991-9380

Fax: 609-419-4241

[www.mieleusa.com](http://www.mieleusa.com)

**Technical Service & Support**

**Nationwide**

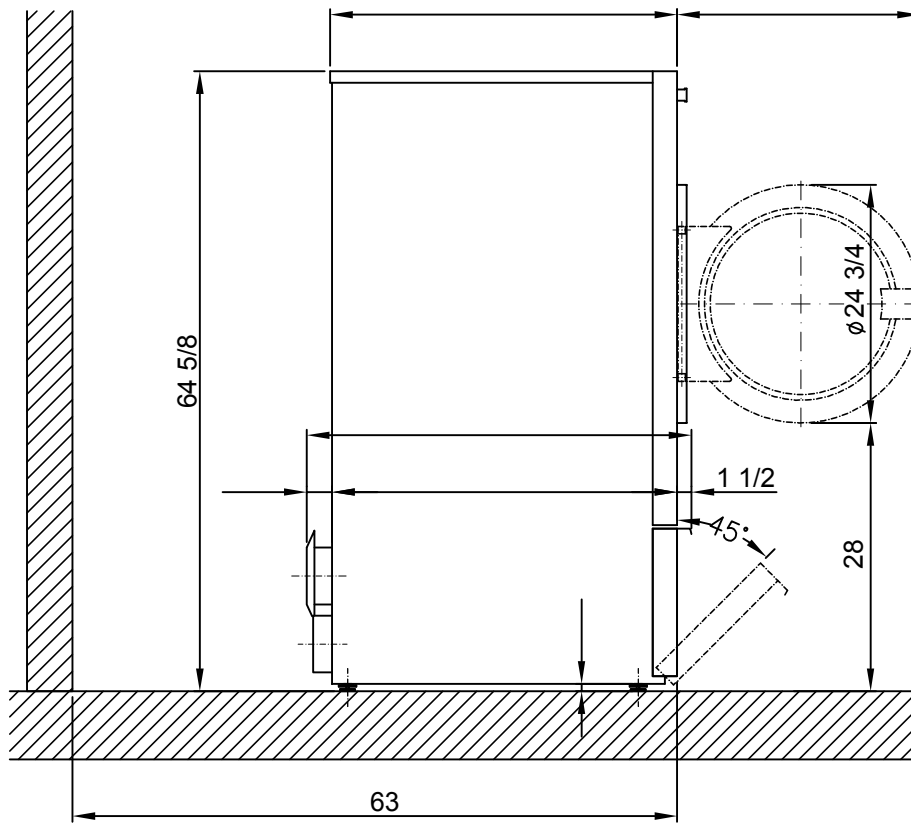
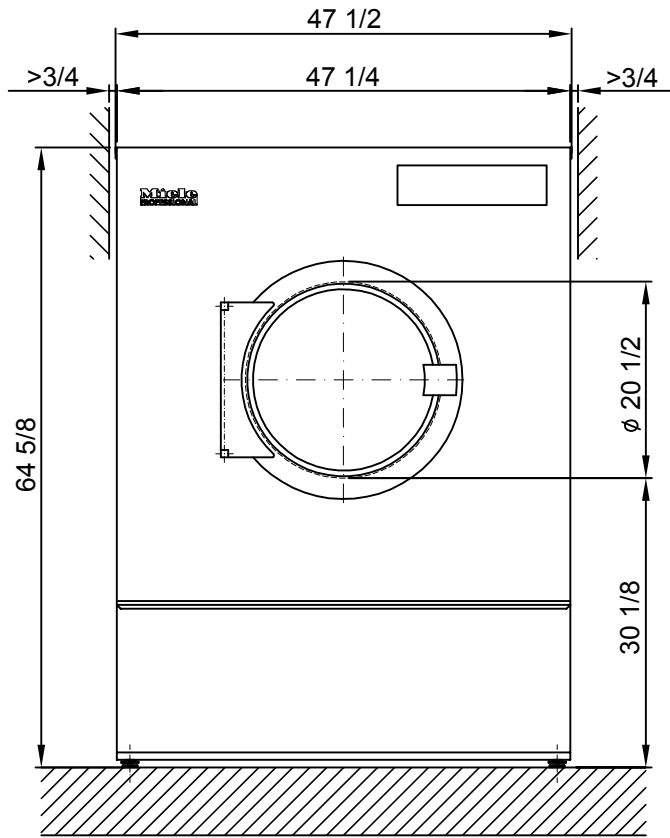
Phone: 800-991-9380

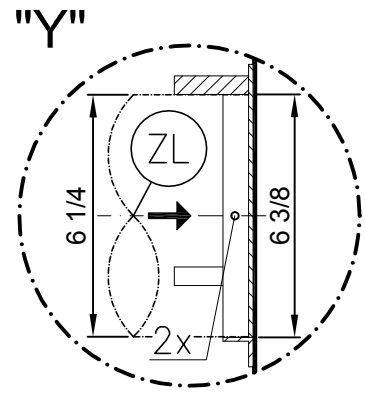
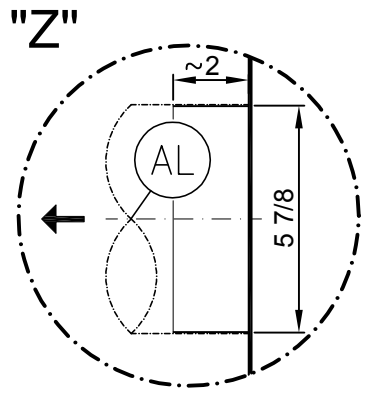
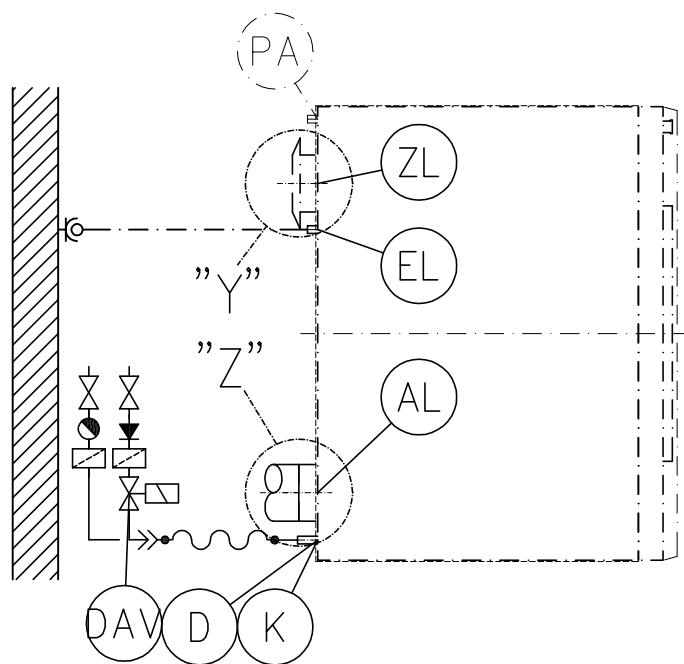
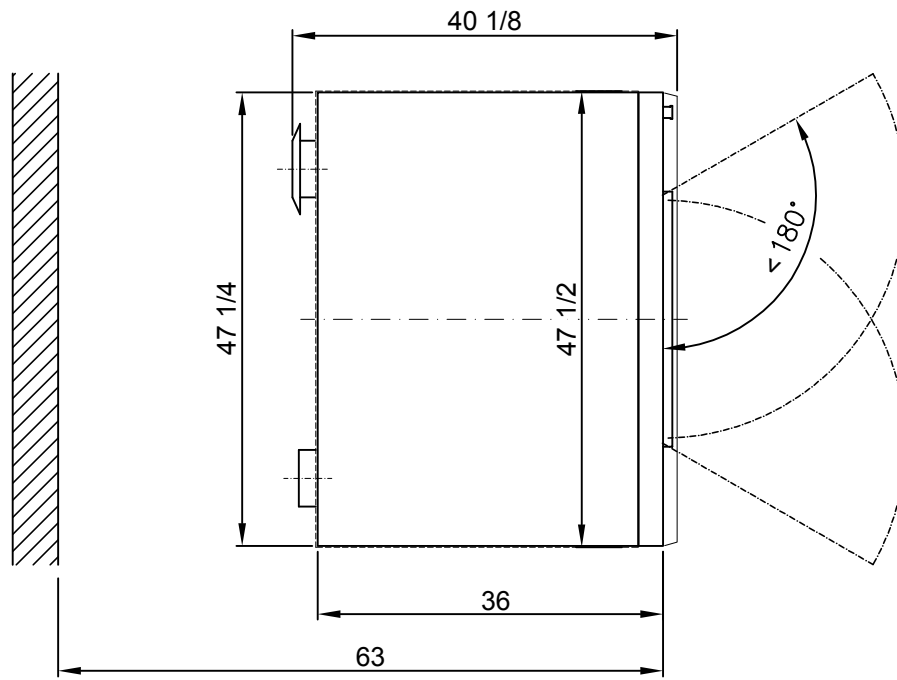
Fax: 800-220-1348

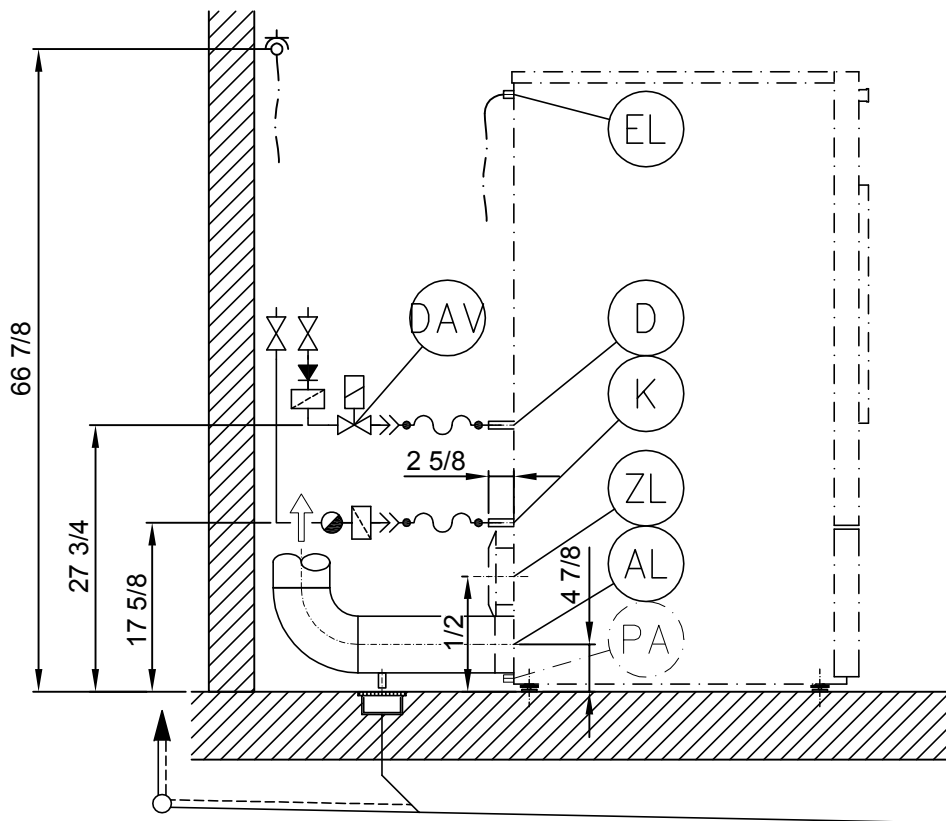
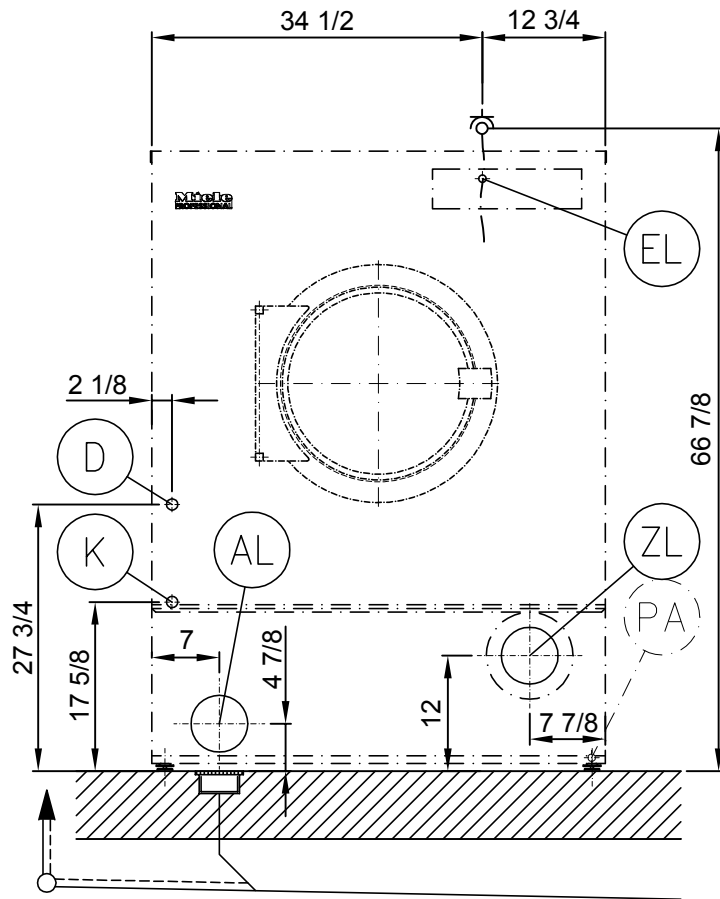
[proservice@mieleusa.com](mailto:proservice@mieleusa.com)

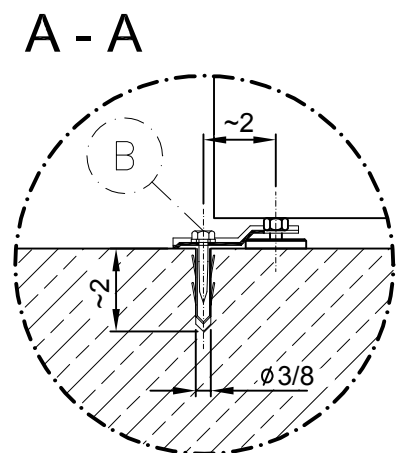
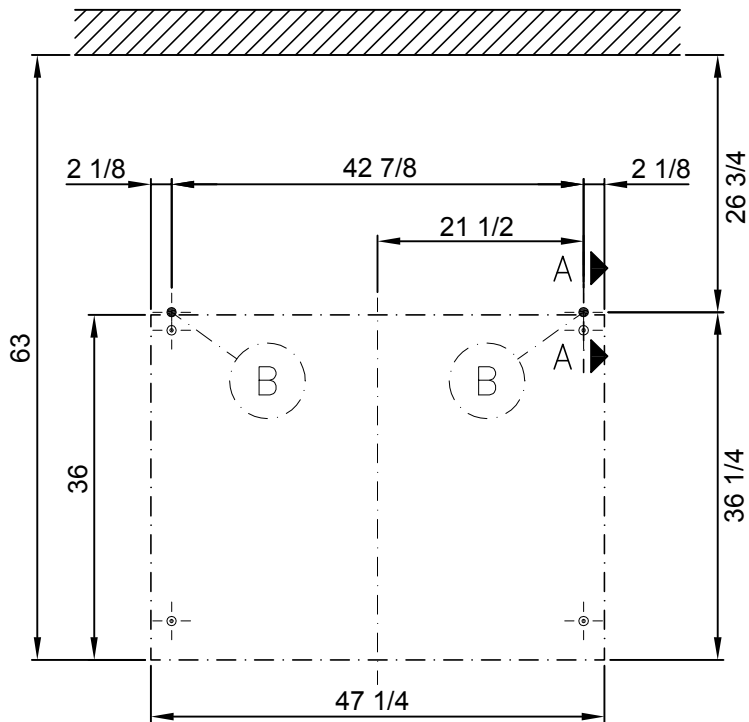
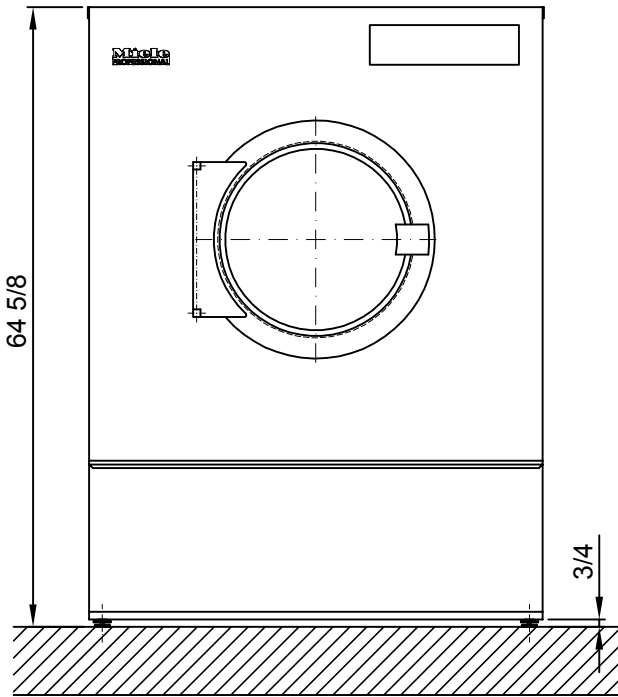
It is essential to read the operating and installation instructions before installing,  
commissioning or using the machine.  
This avoids the risk of accidents or damage.

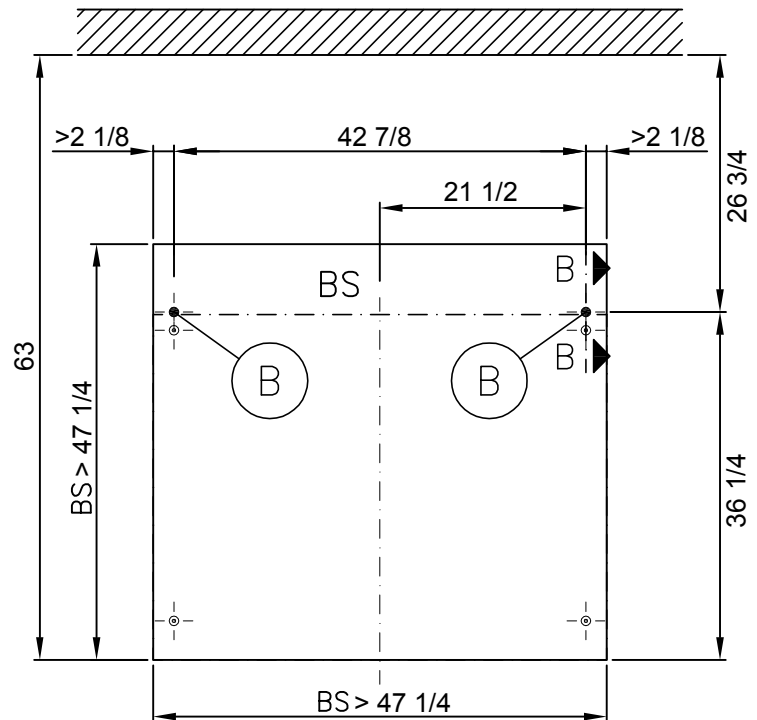
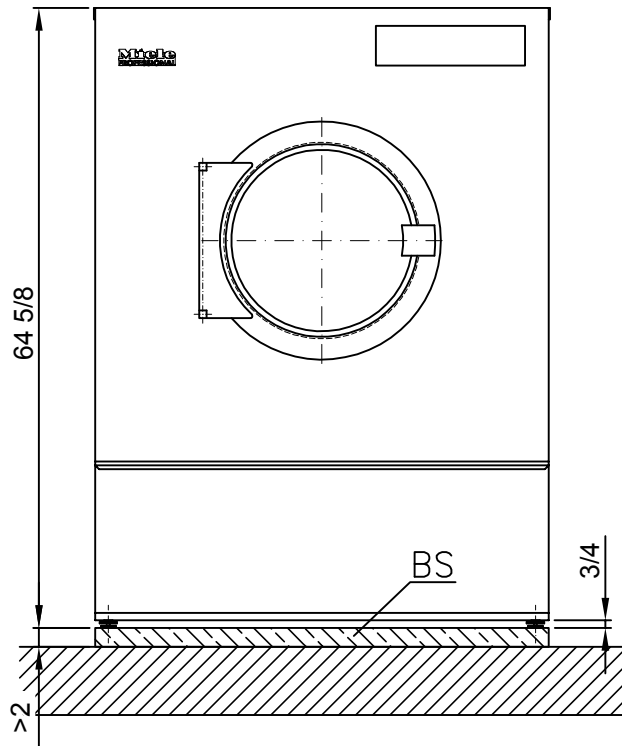
All rights reserved.



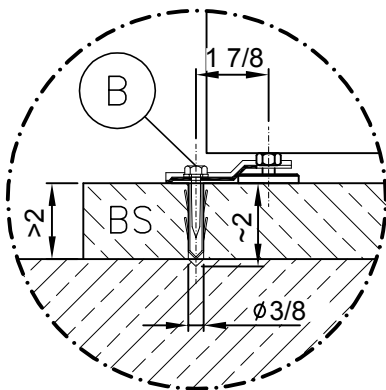


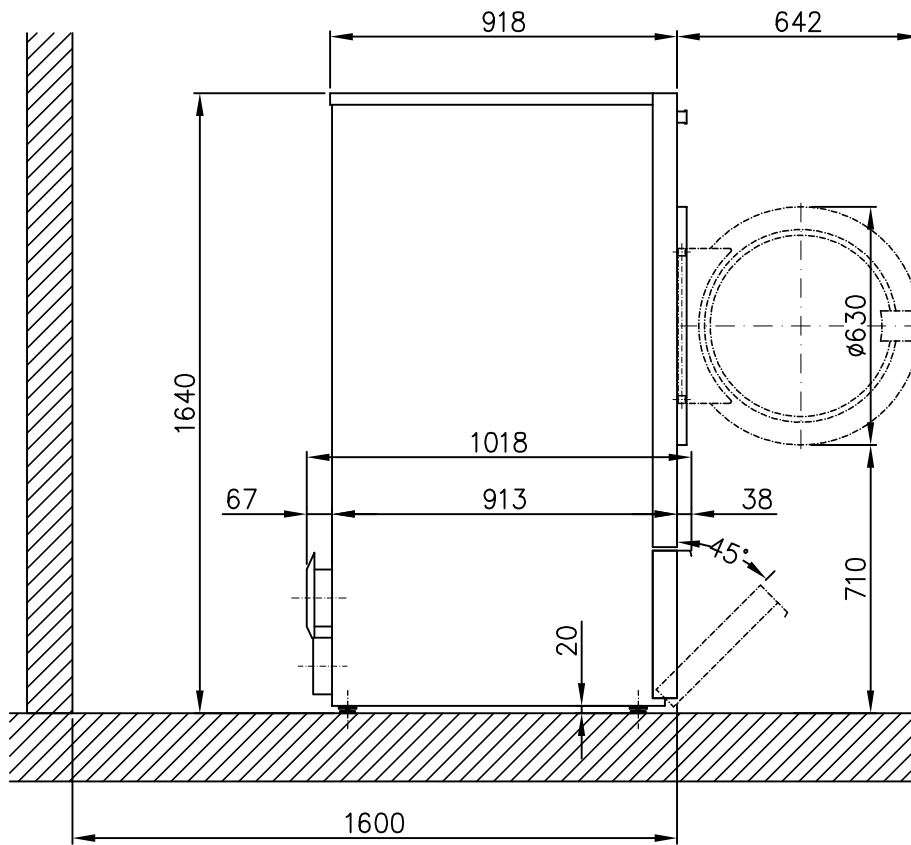
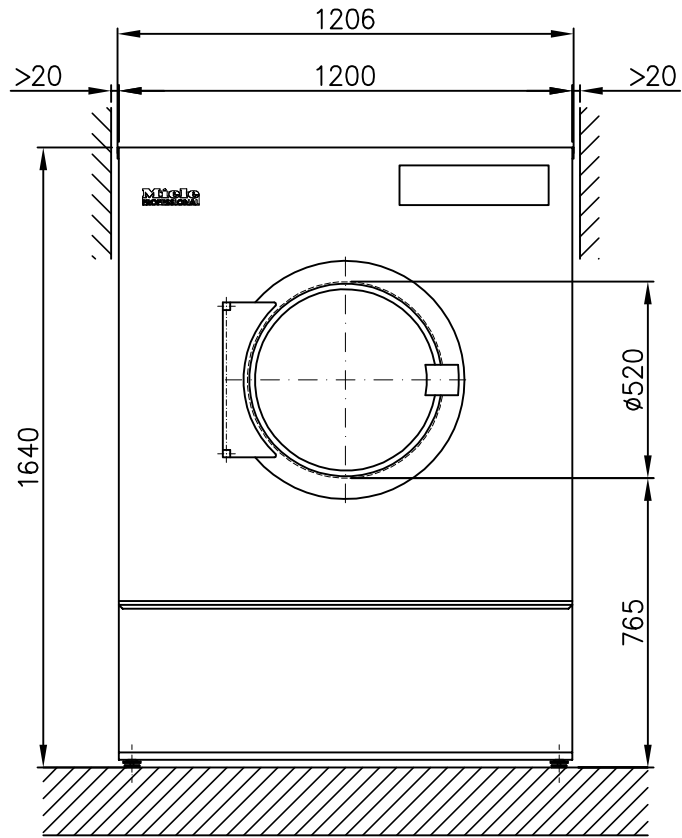




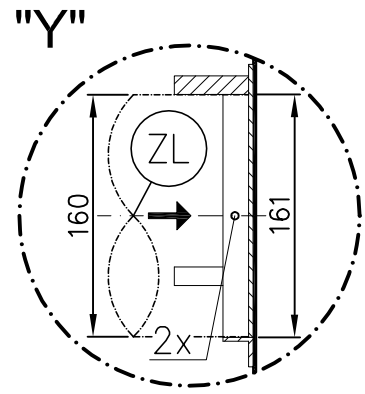
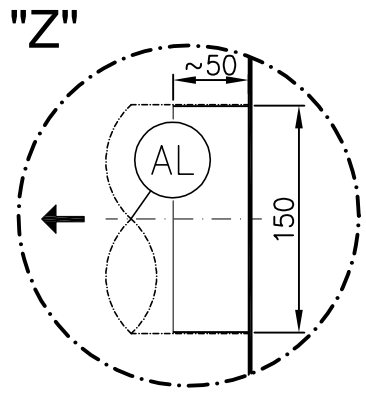
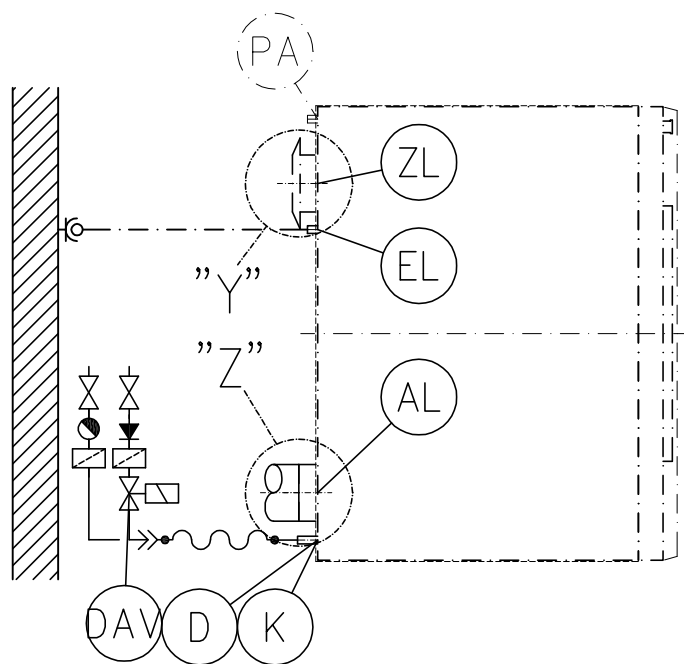
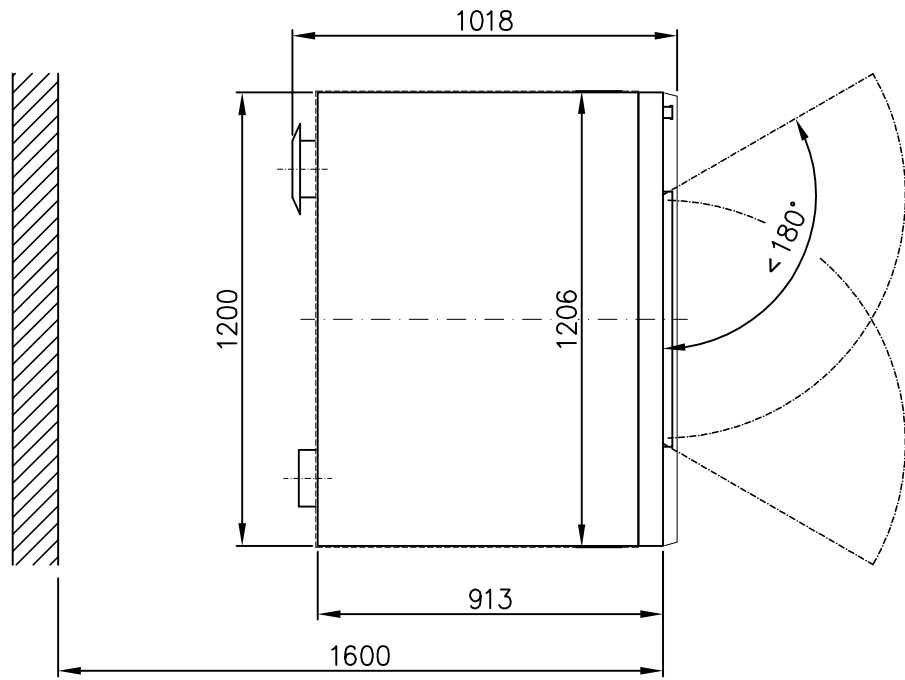


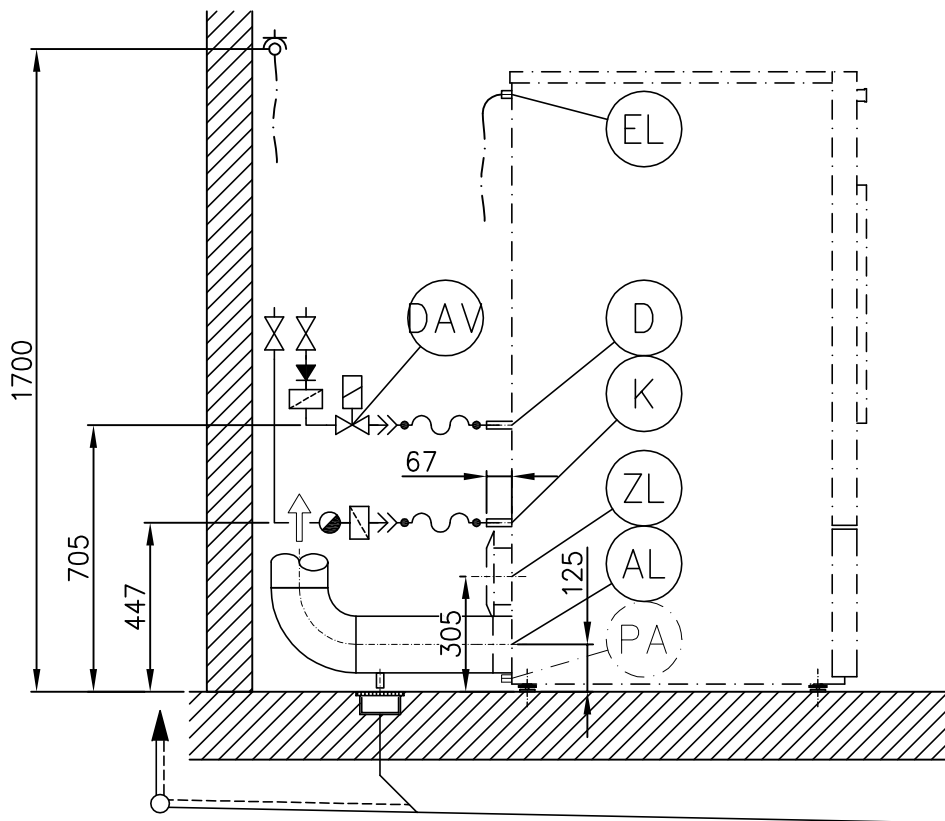
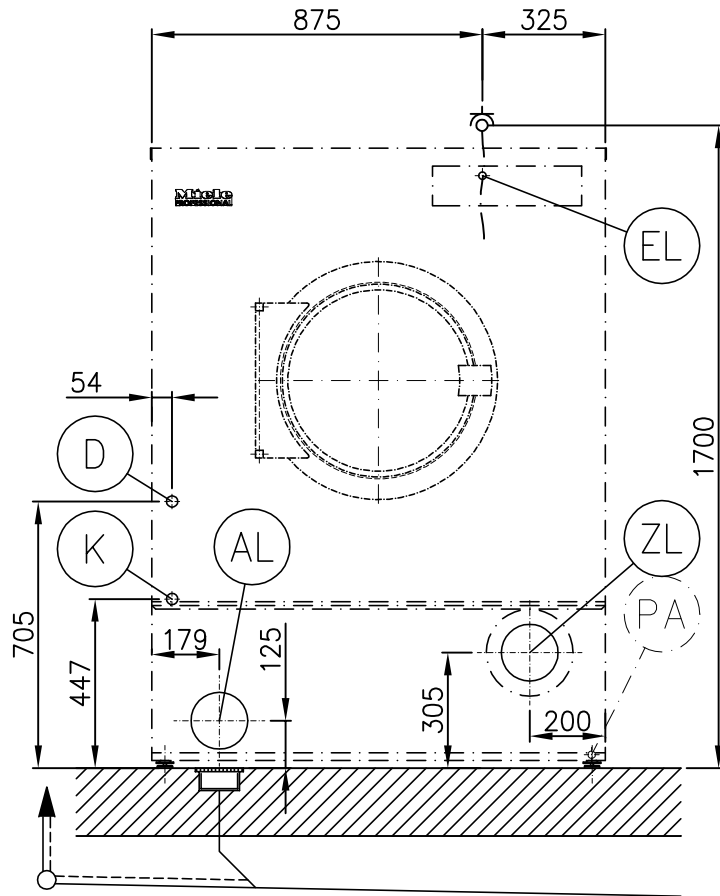
**B - B**

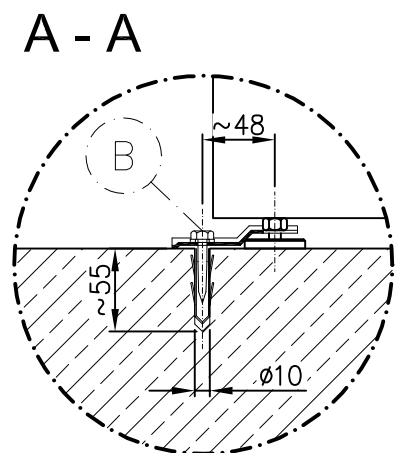
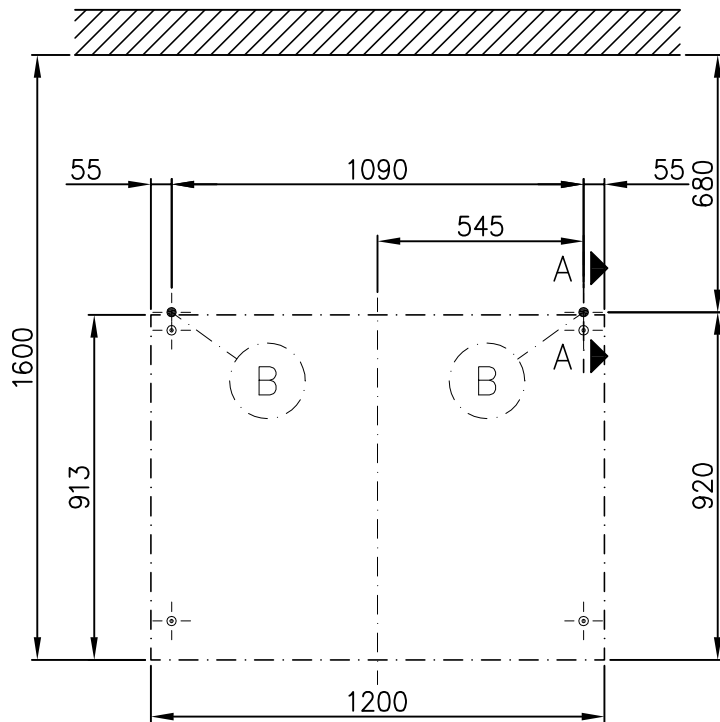
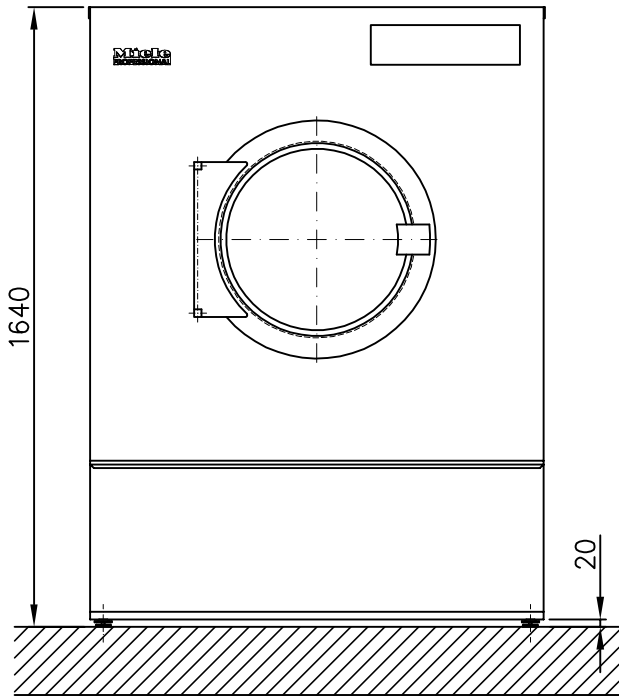


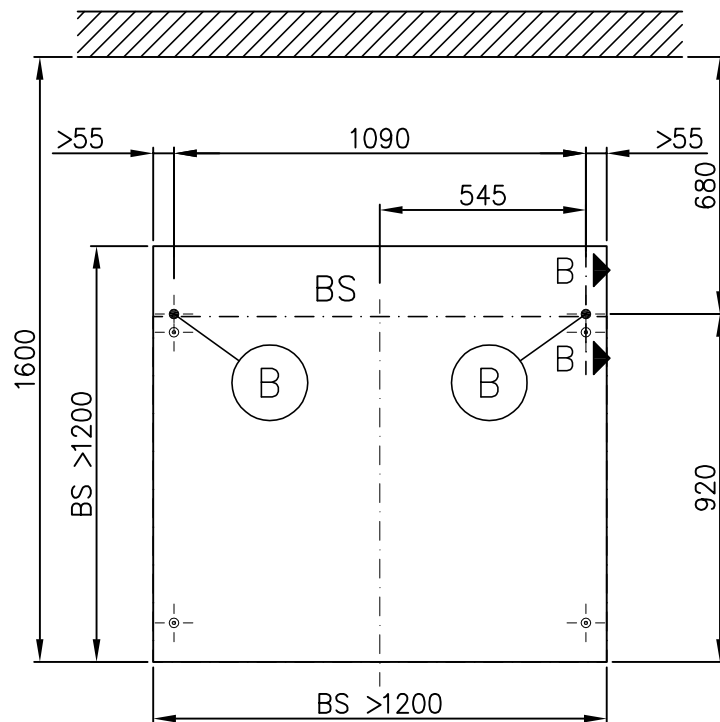
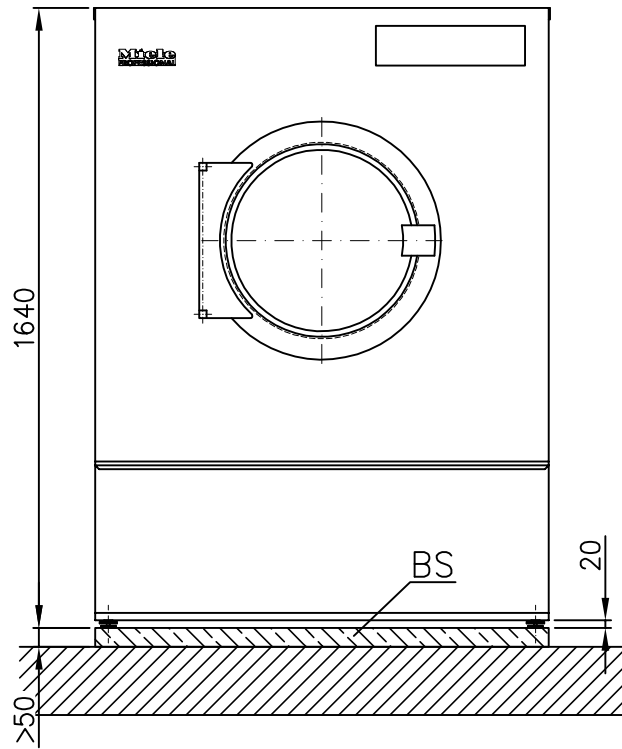




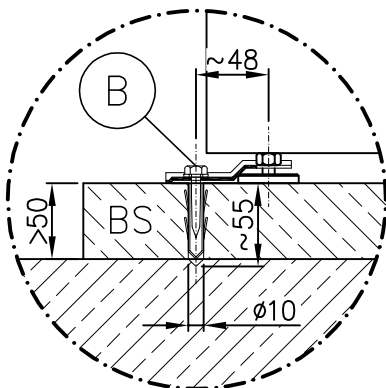








**B - B**



# Technical datasheet



Tumble dryer:  
Heating:

PT 8507  
Steam

Legend:



Abbreviations in bold type:  
Connection required



Abbreviations in circle with dashes:  
Connection optional or required depending on model version

en - US

## Optional extras:

<b>BS</b>	<b>Concrete base</b>	Quality and density of concrete must comply with load. Concrete base must be firmly secured to floor!  Recommended height Minimum height Width min. Depth min.	  3 15/16" 2" 47 1/4" 43 5/16"	  100 mm 50 mm 1200 mm 1100 mm
<b>DAV</b>	<b>Steam connection valve</b>	The steam connection valve to regulate the steam supply must be provided on site.  The following valve can be ordered separately:		
		<b>Electric steam valve (ELD 04)</b> Regulatable steam pressure Connection gauge Voltage Frequency	29 – 145 psi	200 – 1000 kPa 1/2" Inch(NPT) 230 V 60 Hz

## Machine connections:

	<b>Electrical connection (convertible)</b>	<b>Standard voltage</b> Frequency Rated load Fuse rating Cable screw connector  Connection cable	V Hz kW A	3 AC 208 60 1.3 3 x 10 M 25 Supplied without power cord
		<b>Convertible to</b> Frequency Rated load Fuse rating Cable screw connector  Connection cable	V Hz kW A	3 AC 220-240V 60 1.3 3 x 10 M 25 Supplied without power cord

		<p>Electrical connection must comply with national regulations.</p> <p>Connection using multi-pole lockable wall socket in compliance with IEC/EN 60309 and IEC/EN 60947 is recommended in order to simplify electrical tests. If machines are hard-wired, a multi-pole mains switch must be provided on site. Switches with a contact gap of more than 3 mm can be used. These include switches, fuses and contactors (IEC/EN 60947). A wall socket or mains isolator must be easily accessible after installation.</p> <p>Reinstallation of the supply point, changes to the equipment or checks on the protective conductor, including determination of correct fuse rating, should only be performed by a properly trained electrician.</p> <p>If necessary, equipotential bonding with good galvanic contact must be provided in accordance with all appropriate national and local regulations.</p>		
(PA)	<b>Equipotential bonding</b>	<p>Connection with male thread Connection with washers and nut</p> <p>Accessories to be ordered separately</p> <p>If necessary, equipotential bonding with good galvanic contact must be provided in accordance with all appropriate national and local regulations.</p>	3/8 x 1 3/8"	10 x 35 mm M 10
(D)	<b>Steam connection</b>	<p>Steam pressure</p> <p>Boiling point</p> <p>Steam supply capacity</p> <p>Connection thread (on site)</p> <p>Steam valve, steam filter and steam stopcock must be provided on site.</p> <p>Supply lead steam valve (length). The supply lead for the electric steam valve is included.</p> <p>The steam valve should be installed close to the steam connection.</p> <p>Note installation instructions for steam-heated Miele tumble dryers.</p>	<p>87 – 145 psi</p> <p>329 - 363°F</p> <p>132 lb/h</p> <p>19 11/16"</p>	<p>600 - 1.000 kPa</p> <p>165 –184°C</p> <p>60 kg/h</p> <p>½" internal thread (NPT)</p> <p>500 mm</p>
(K)	<b>Condensate connection</b>	<p>Connection thread (on site)</p> <p>Stopcock and condensate separator to be provided on site.</p> <p>The condensate drain should be installed such that the heater banks self-drains when the machine is not in operation. Consequently, there should be no build-up of condensate in the heater bank. The installation of bell-shaped condensate drains is recommended.</p>		½" internal thread (NPT)
(AL)	<b>Vented</b>	<p>Max. nominal air flow in vented mode</p> <p>Max. permissible pressure loss</p> <p>Connection on machine side (ext. diameter)</p> <p>Connection pipe provided on site (int. diameter)</p> <p>Max. temperature</p> <p>As relative humidity inside the vent ducting can be as high as 100%, suitable measures must be taken to prevent a backflow of condensate into the machine.</p>	<p>588 cfm</p> <p>0.04 psi</p> <p>5 15/16"</p> <p>5 15/16"</p> <p>176°F</p>	<p>1000 m³/h</p> <p>300 Pa</p> <p>150 mm</p> <p>150 mm</p> <p>80°C</p>
(ZL)	<b>Air intake</b>	<p><b>Standard connection:</b> Air intake from installation site Unobstructed air intake into room recommended (corresponding to 3 times the vent cross-section of machine) A sufficient supply of fresh air should be ensured to replace the air extracted.</p> <p><b>Alternative connection:</b> Ducted air intake (from outside building) Connector on machine (int. diameter) Connection pipe provided on site (ext. diameter)</p> <p>Lid removal exposes live components! For safety reasons, the pipe connected for central air intake should be at least 900 mm (35 ½") long and secured using two screws.</p>	<p>83 in²</p> <p>6 5/16"</p> <p>6 5/16"</p>	<p>531 cm²</p> <p>161 mm</p> <p>160 mm</p>

<b>B</b>	<b>Fittings</b> (supplied)	<b>Without base</b> 2 x clamps 2 x screws DIN 571 (Ø x length) 2 x rawl plugs (Ø x length) Machine must be bolted to the floor! Fixing materials for a floating screed floor are to be provided on site.	$\frac{1}{4}$ x 1 9/16" 3/8 x 2"	6 x 40 mm 10 x 50 mm
		<b>On concrete base</b> 2 x clamps 2 x screws DIN 571 (Ø x length) 2 x rawl plugs (Ø x length) Fixing materials for a floating screed floor are to be provided on site.	$\frac{1}{4}$ x 1 9/16" 3/8 x 2"	6 x 40 mm 10 x 50 mm
	<b>Machine data</b>	Unit width Machine depth Unit height Casing width Casing depth Minimum width of delivery access to installation site Recommended rear wall gap (measured to front of machine) Min. wall gap (to rear edge of lid) Net weight Dynamic floor load, max. Average heat dissipation (dependent on ambient room temperature and program selected) Noise level Sound pressure level (measured at a distance of 1 m from the machine and at a height of 1.6 m)	47 1/2" 40 1/16" 64 9/16" 47 1/4" 35 15/16" 40 9/16" 63" 19 11/16" 585 lb 2968 N 3071 BTU/h 72.2 dB (A) 60 dB (A)	1206 mm 1018 mm 1640 mm 1200 mm 913 mm 1030 mm 1600 mm 500 mm 265 kg 2968 N 0.9kW 72.2 dB (A) 60 dB (A)
Installation should only be carried out by authorized technicians in accordance with national regulations! Follow installation instructions when installing machine! All rights reserved!				