

Installation plan
Tumble dryer



PT 8807 EL (Electrically heated)

U.S.A.

Miele, Inc.

National Headquarters

9 Independence Way
Princeton, NJ 08540

Phone: 800-991-9380

Fax: 609-419-4241

www.mieleusa.com

Technical Service & Support

Nationwide

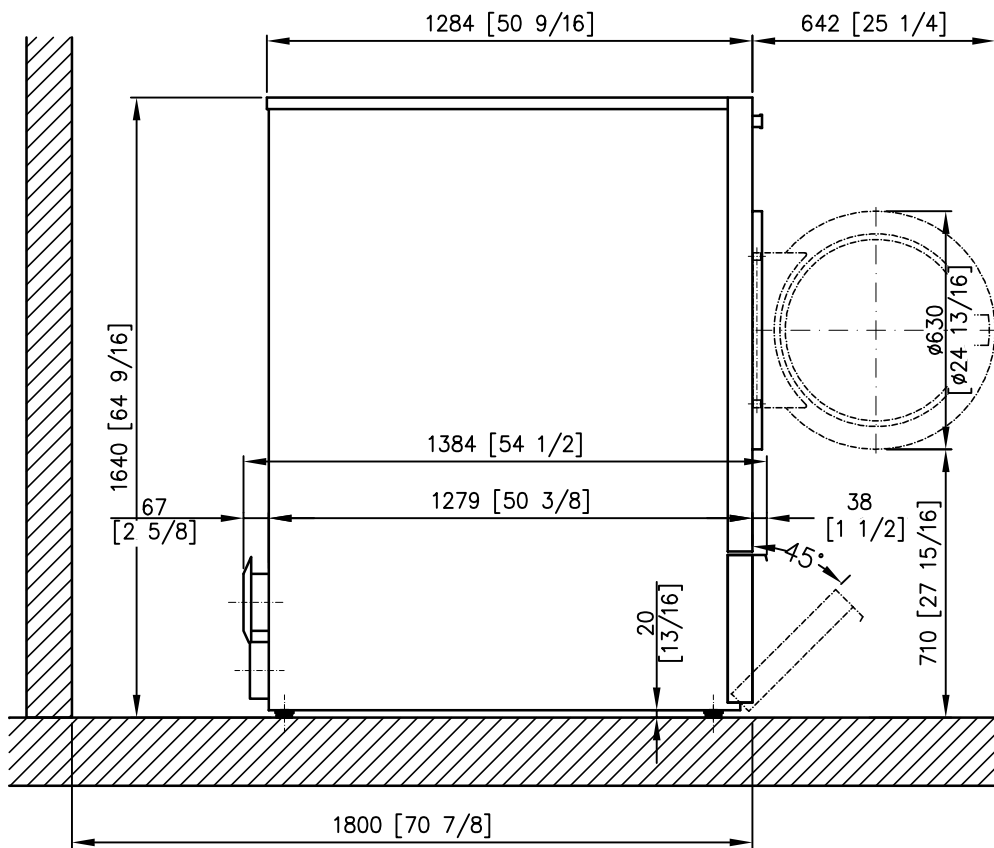
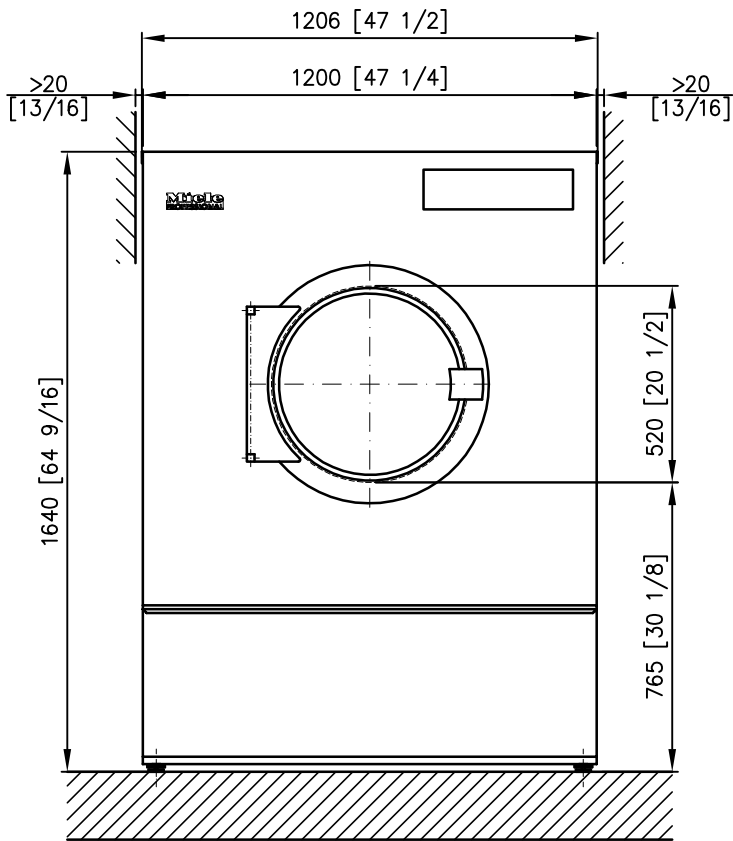
Phone: 800-991-9380

Fax: 800-220-1348

proservice@mieleusa.com

It is **essential** to read the operating and installation instructions before installing, commissioning or using the machine.
This avoids the risk of accidents or damage.

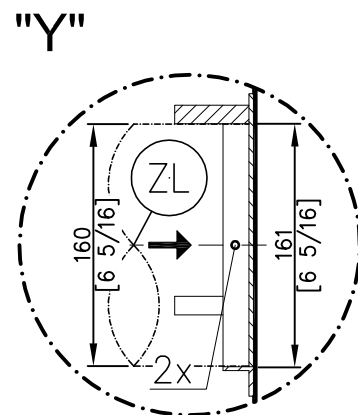
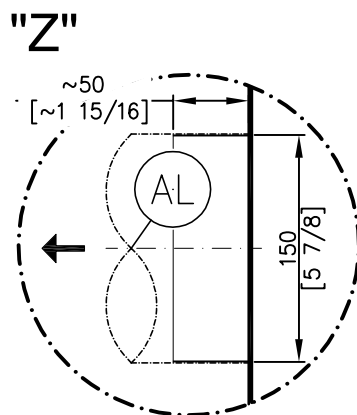
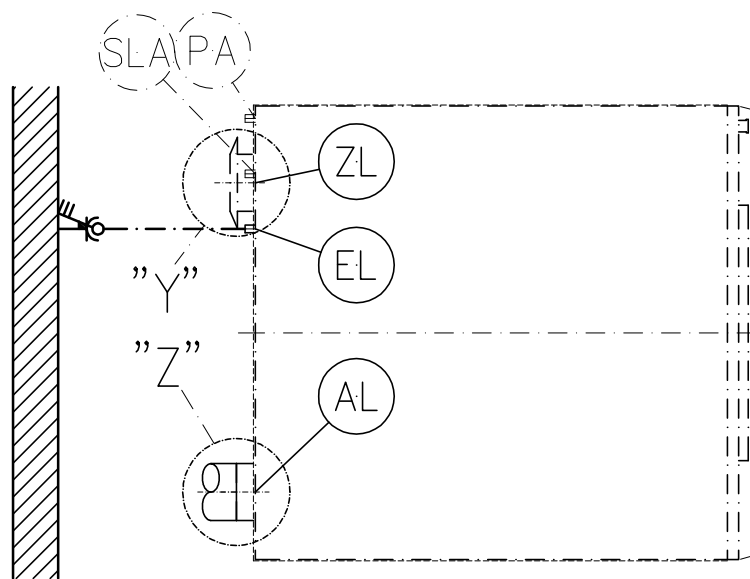
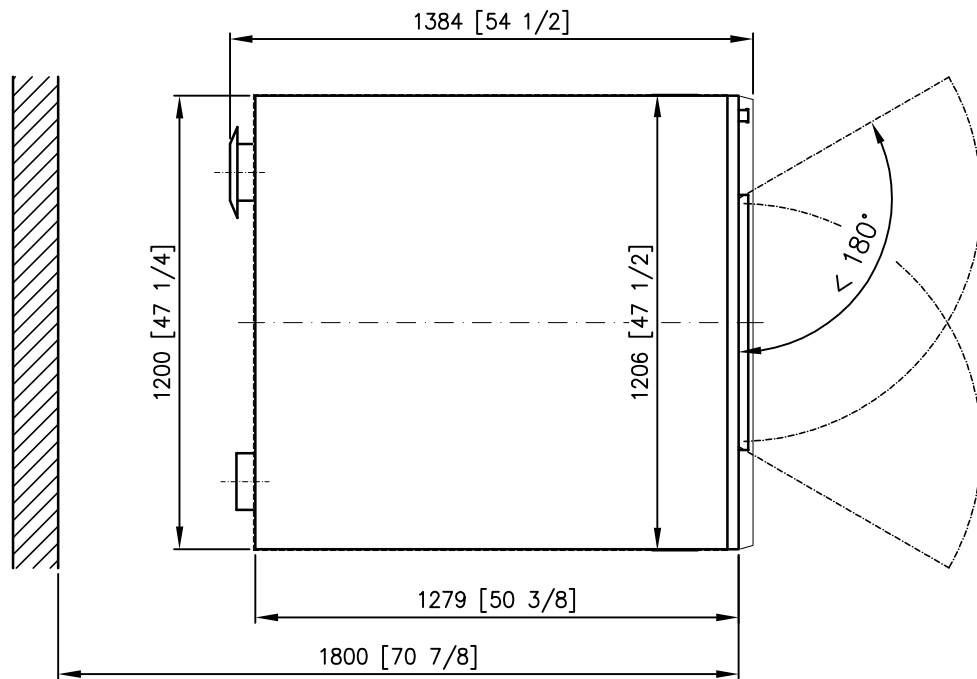
All rights reserved

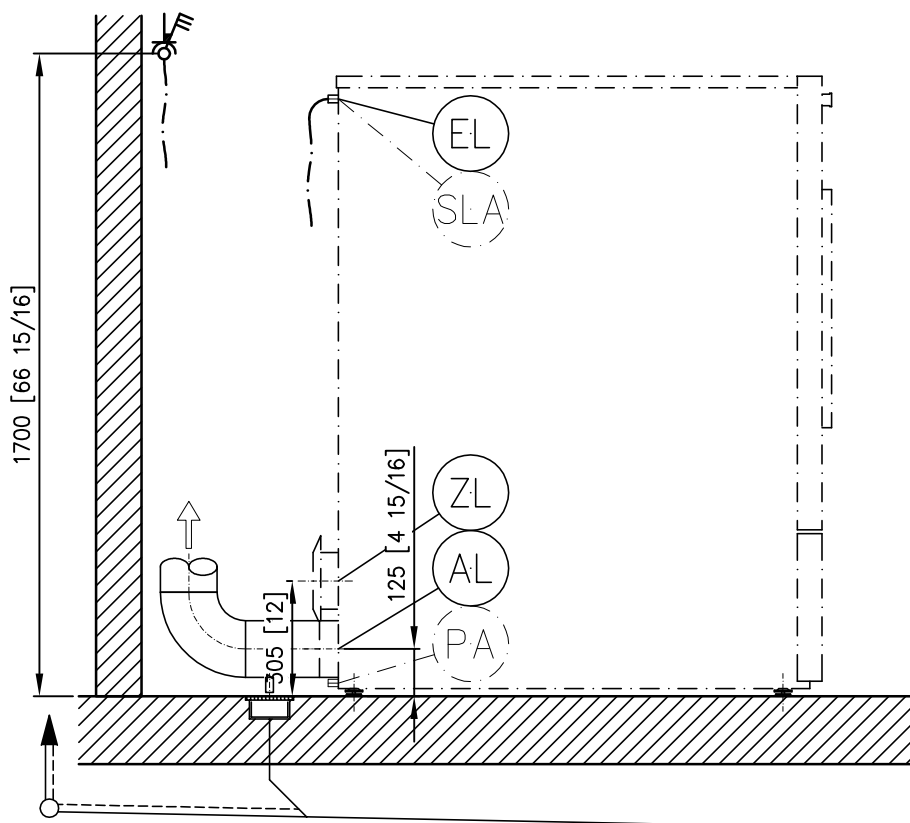
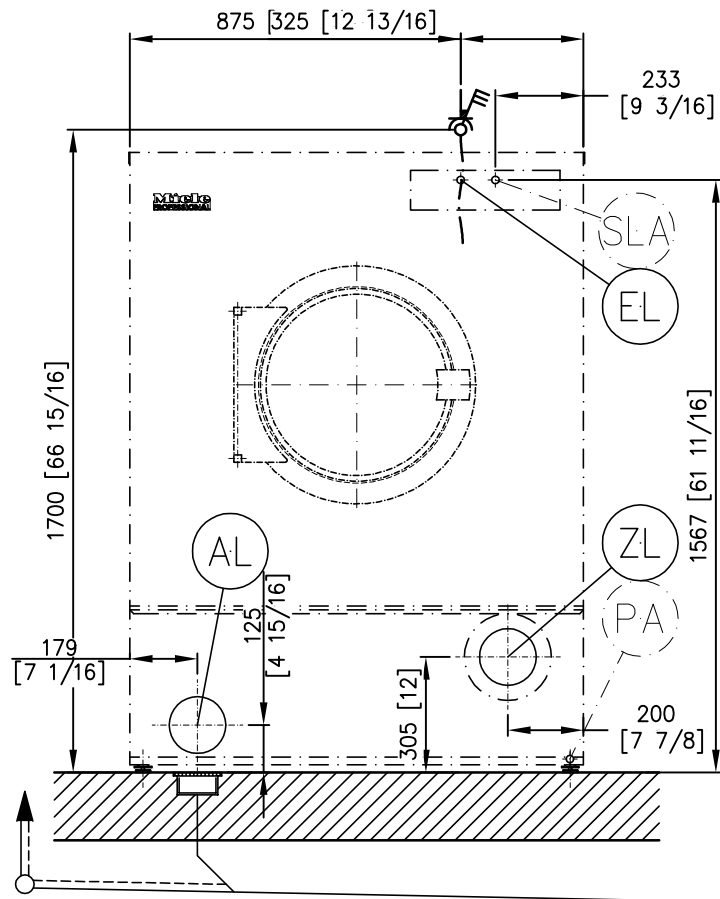


Miele
PROFESSIONAL

Installationsplan / Installation plan
Trockenautomat / Tumble dryer
PT 8803/8805/8807 EL

Date	16.11.2011
Page	3
Name	DEBOHD

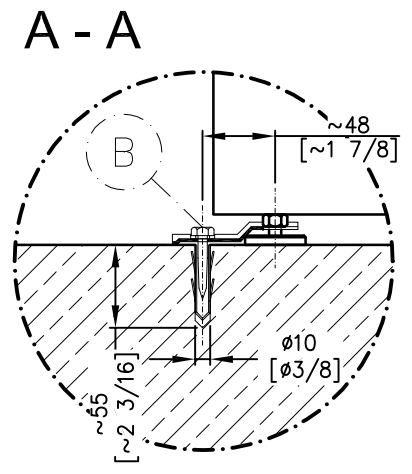
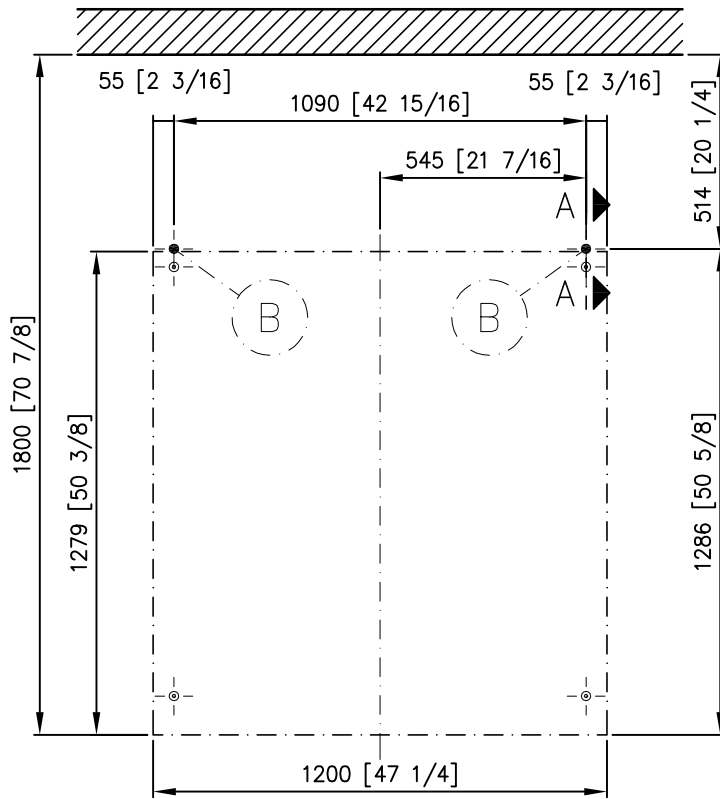
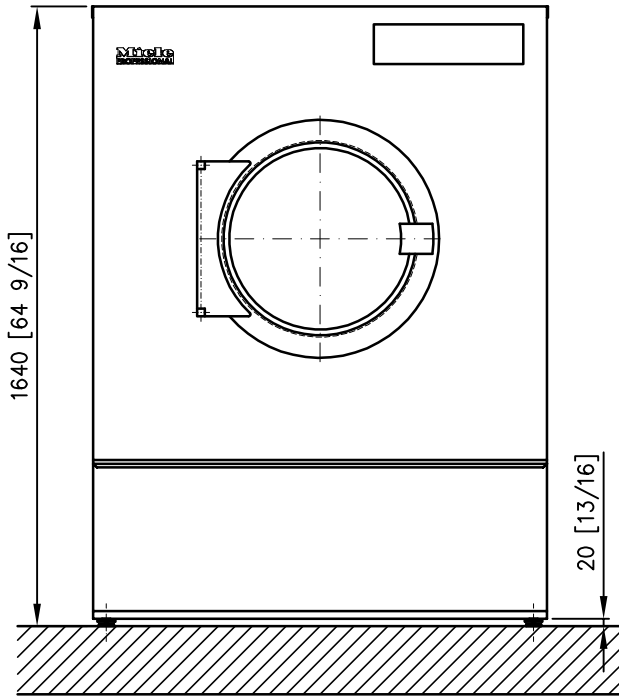




Miele
PROFESSIONAL

Installationsplan / Installation plan
Trockenautomat / Tumble dryer
PT 8803/8805/8807 EL

Date	16.11.2011
Page	5
Name	DEBOHD



Miele
PROFESSIONAL

Installationsplan / Installation plan
Trockenautomat / Tumble dryer
PT 8803/8805/8807 EL

Date	16.11.2011
Page	6
Name	DEBOHD

Technical datasheet

Miele
PROFESSIONAL

Tumble dryer:
Heating:

PT 8807
Electric (EL)

Legend:



Abbreviations in bold type:
Connection required



Abbreviations in circle with dashes:
Connection optional or required depending on model version

en - US

Optional extras:

BS	Concrete base	Quality and density of concrete must comply with load. Concrete plinth must be firmly secured to floor!			
		Recommended height	mm	100	4"
		Minimum height	mm	50	2"
		Minimum width	mm	1.200	47"
		Minimum depth	mm	1.400	55"

Machine connections:

EL	Electrical connection	Voltage Frequency Rated load Fuse rating Connection cable, min. cross-section Cable screw connector Connection cable to be ordered separately.	V Hz kW A mm ²	3 AC 208 60 27.4 3 x 90 AWG 16 M 50	
		Electrical connection must comply with national regulations If machines are hard-wired, a multi-pole main switch must be provided on site. A wall socket or main isolator must be accessible after installation.			
PA	Equipotential bonding	Connection with male thread with washers and nut Accessories not included. If necessary, equipotential bonding with good galvanic contact must be provided in accordance with all appropriate national and local regulations.	mm M	10 x 35 10	
SLA	Peak load energy management	Control contact voltage Connection cable, min. cross-section Connection cable to be ordered separately. Connection via a flexible supply lead with a separate isolator is recommended. The isolator should be visible and easily accessible after machine installation.	V mm ²	AC 230 5 x 1,5	
AL	Vented	Max. Nominal air flow in vented mode Max. Permissible pressure loss	m ³ /h Pa	1.100 300	38,85 cu ft/h 0.04 PSI
		Connection on machine side (ext. diameter) Connection pipe provided on site (int. diameter) Max. temperature As relative humidity inside the vent ducting can be as high as 100%, suitable measures must be taken to prevent a backflow of condensate into the machine.	mm mm °C	150 150 80	6" 6" 176 °F

<p style="text-align: center;">(ZL)</p>	<p>Air intake</p>	<p>Standard connection: Air intake from installation site Unobstructed air intake into room recommended (corresponding to 3 times the vent cross-section of machine) A sufficient supply of fresh air should be ensured to replace the air extracted.</p> <p>Alternative connection: Ducted air intake (from outside building) Connector on machine (int. diameter) mm Connection pipe provided on site (ext. diameter) mm</p> <p>Lid removal exposes live components! For safety reasons, the pipe connected for central air intake should be at least 900 mm long and secured using two screws.</p>	<p>cm²</p> <p>mm</p> <p>mm</p>	<p>531</p> <p>161</p> <p>160</p>	<p>32 cu in</p> <p>6 ½"</p> <p>6 ¼"</p>
<p style="text-align: center;">(B)</p>	<p>Fittings (supplied)</p>	<p>Without plinth 2 x clamps 2 x screws DIN 571 (Ø x length) 2 x rawl plugs (Ø x length) The machine should be bolted to the floor. Fixing materials for a floating screed floor are to be provided on site.</p> <p>On concrete platform 2 x clamps 2 x screws DIN 571 (Ø x length) 2 x rawl plugs (Ø x length) The machine must be bolted to the floor! Fixing materials for a floating screed floor are to be provided on site.</p>	<p>mm</p> <p>mm</p> <p>mm</p> <p>mm</p>	<p>6 x 40</p> <p>10 x 50</p> <p>6 x 40</p> <p>10 x 50</p>	
	<p>Machine data</p>	<p>Unit width Machine depth Unit height Casing width Casing depth</p> <p>Minimum width of delivery access to installation site Recommended rear wall gap (measured to front of machine) Min. wall gap (to rear edge of lid)</p> <p>Net weight Dynamic floor load, max. Average heat dissipation (dependent on ambient room temperature and program selected) A Noise level A Sound pressure level</p>	<p>mm</p> <p>mm</p> <p>mm</p> <p>mm</p> <p>mm</p> <p>mm</p> <p>mm</p> <p>mm</p> <p>mm</p> <p>mm</p> <p>kg</p> <p>N</p> <p>Watt</p> <p>dB (A)</p> <p>dB (A)</p>	<p>1.206</p> <p>1.384</p> <p>1.640</p> <p>1.200</p> <p>1.279</p> <p>1.220</p> <p>1.800</p> <p>500</p> <p>286</p> <p>3.394</p> <p>973</p> <p>73,6</p> <p>62</p>	<p>47 ½"</p> <p>54 ½"</p> <p>64 ½"</p> <p>47 ¼"</p> <p>50 ½"</p> <p>48"</p> <p>71"</p> <p>19 ¾"</p> <p>629 lb</p>
<p>Installation should only be carried out by authorised installers in accordance with all local and national regulations! Follow installation instructions when installing machine. All rights reserved. Measurements in millimeters [inches].</p>					