

Installation Plan

Washer-extractor



PW 6080 EL (Electrically Heated)

en - US

U.S.A.

Miele, Inc.

National Headquarters 9

Independence Way
Princeton, NJ 08540

Phone: 800-991-9380

Fax: 609-419-4241

www.mieleusa.com

Technical Service & Support

Nationwide

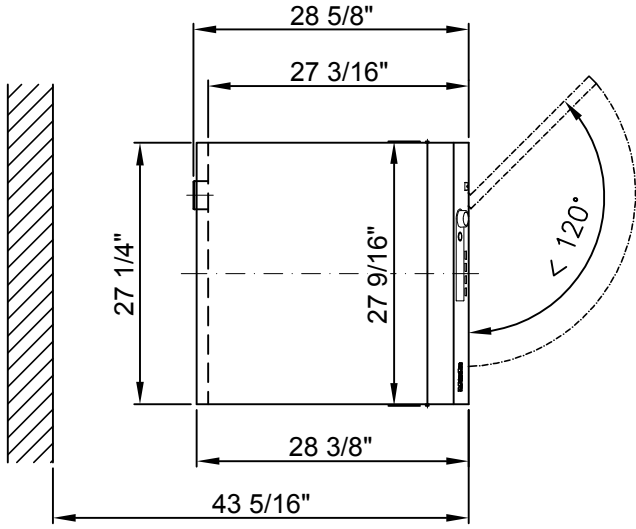
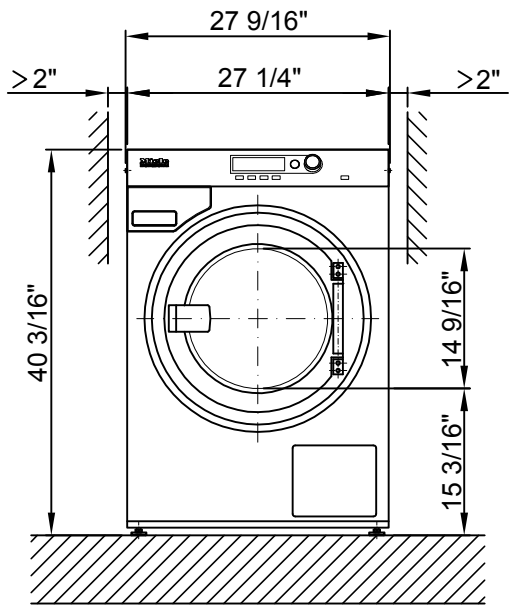
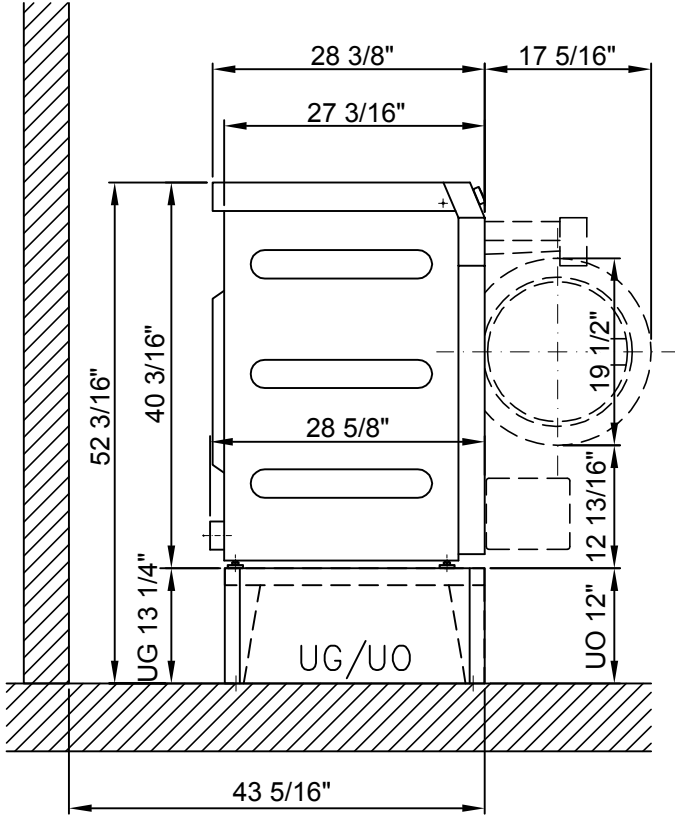
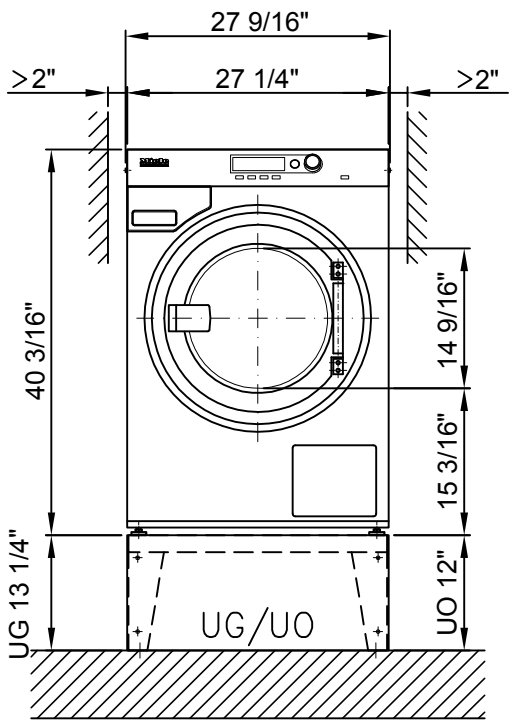
Phone: 800-991-9380

Fax: 800-220-1348

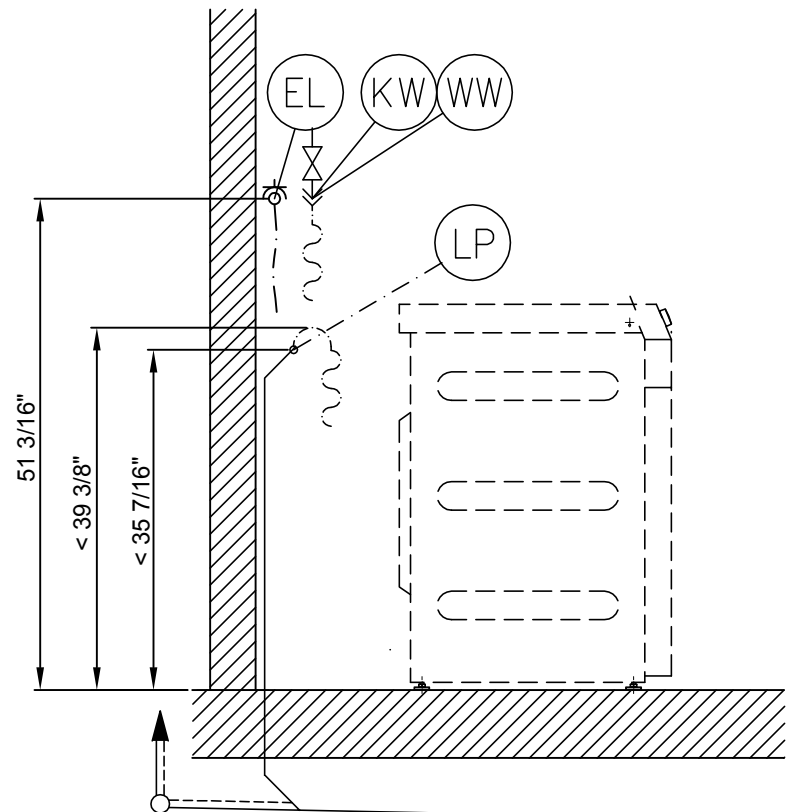
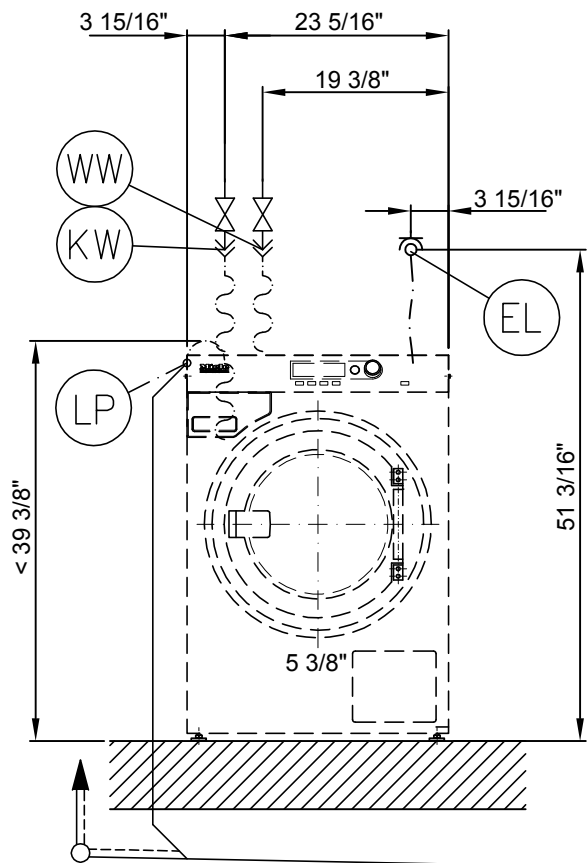
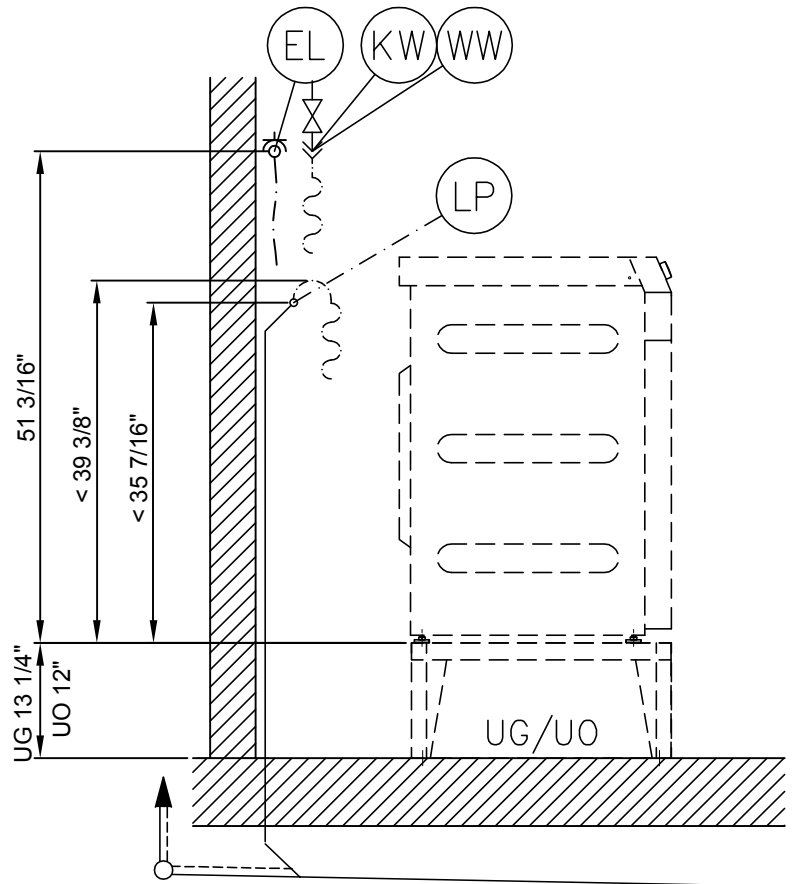
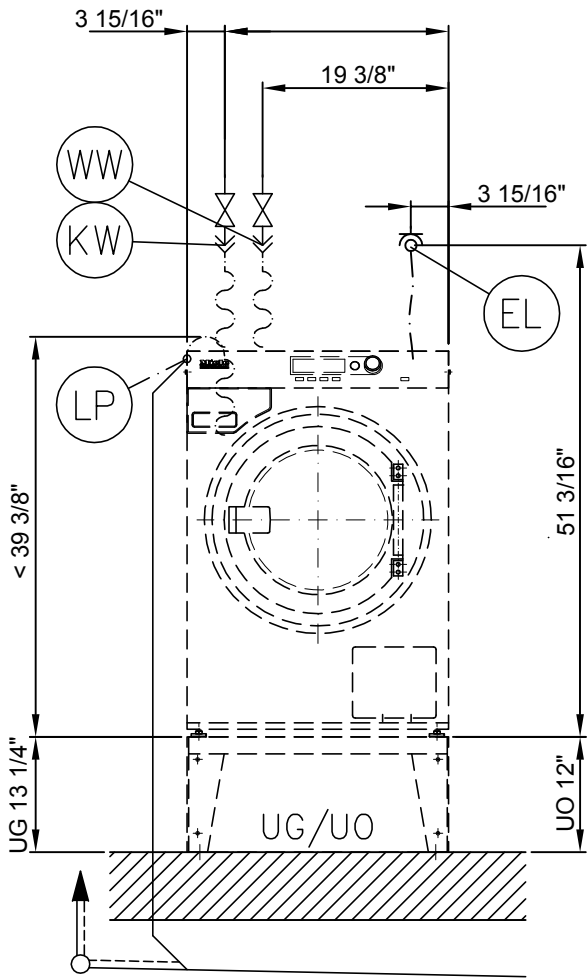
proservice@mieleusa.com

It is essential to read the operating and installation instructions before installing,
commissioning or using the machine.
This avoids the risk of accidents or damage.

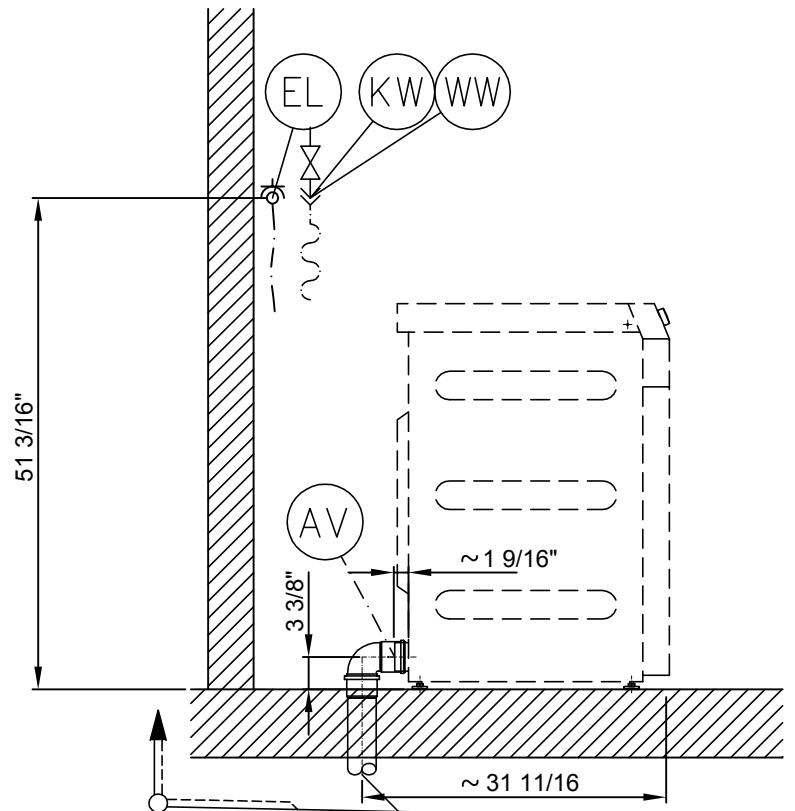
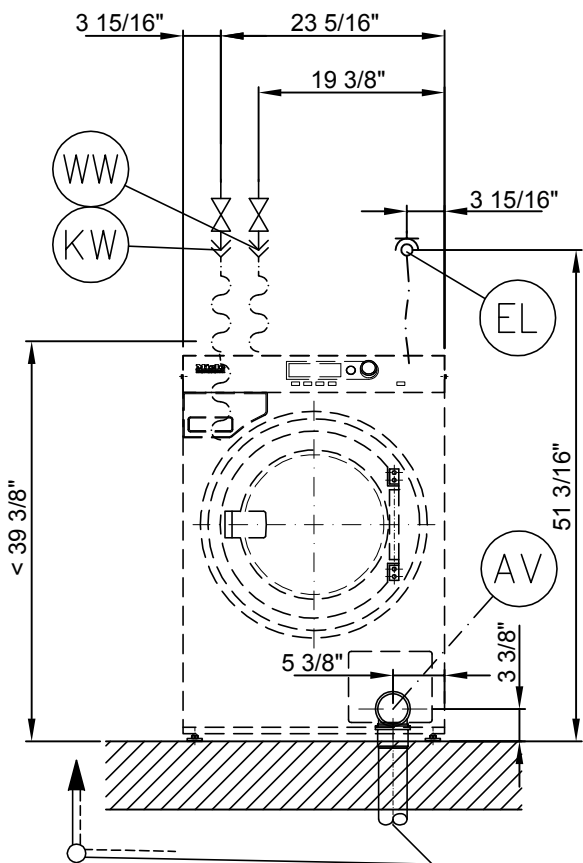
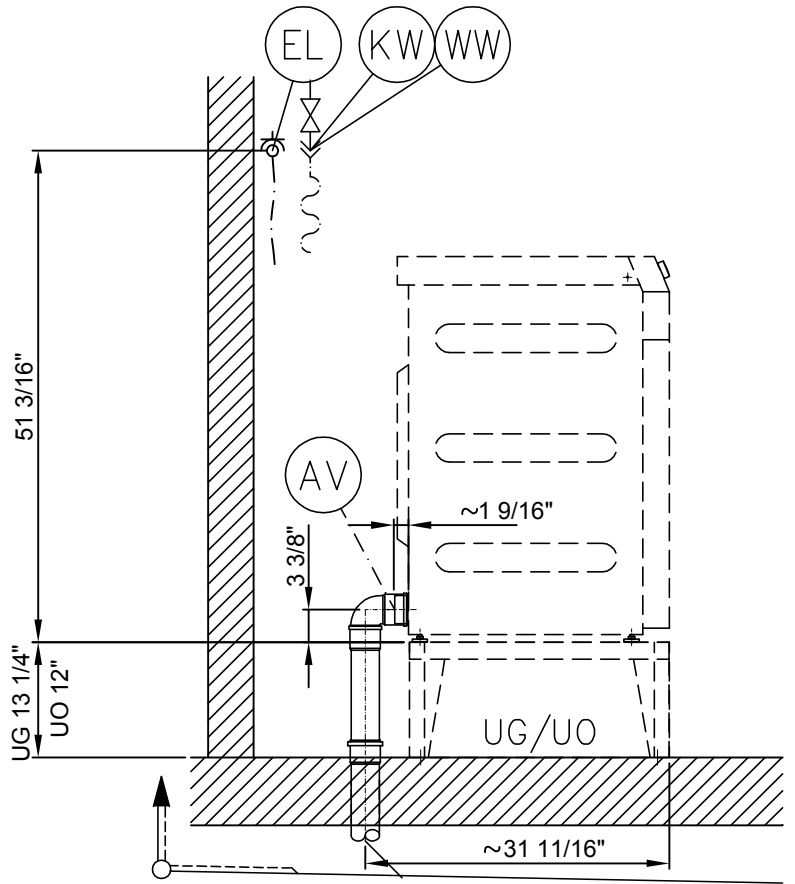
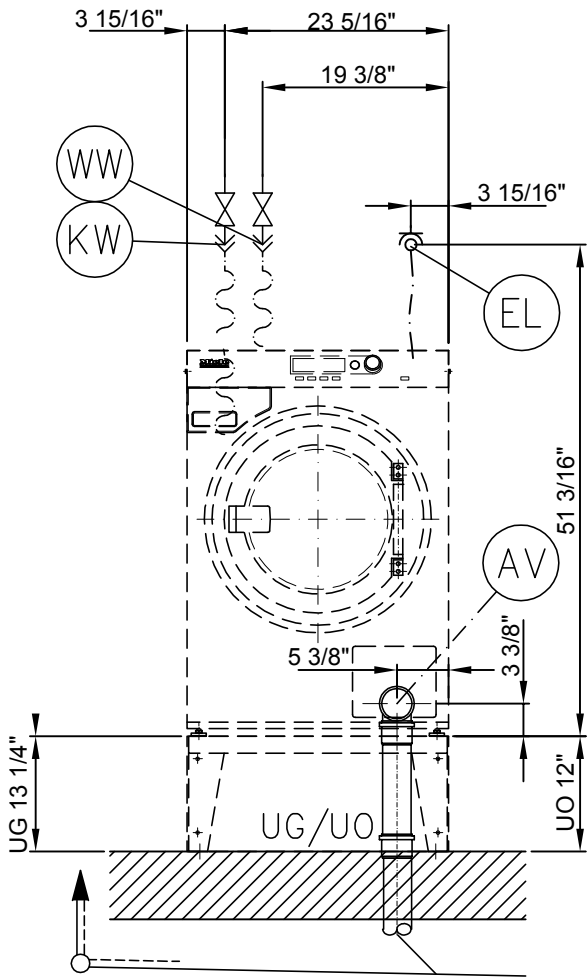
All rights reserved.

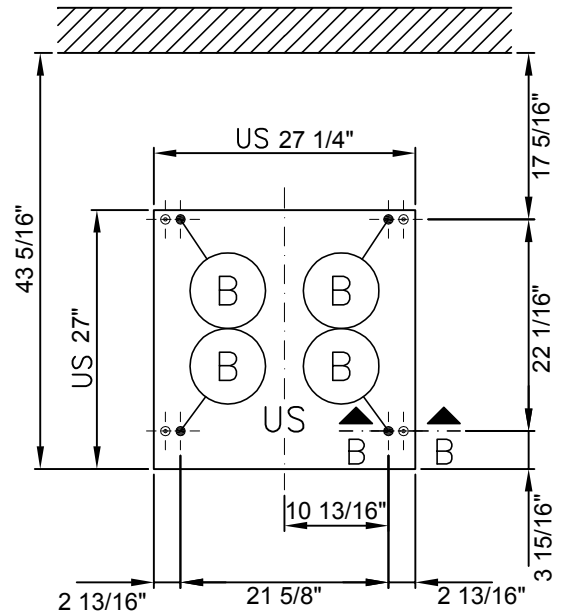
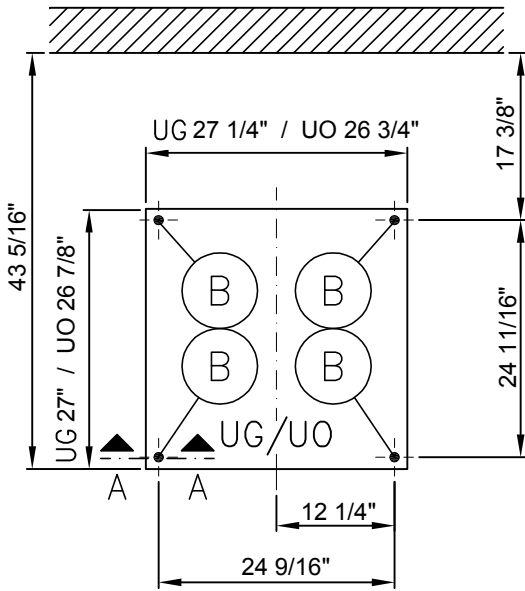
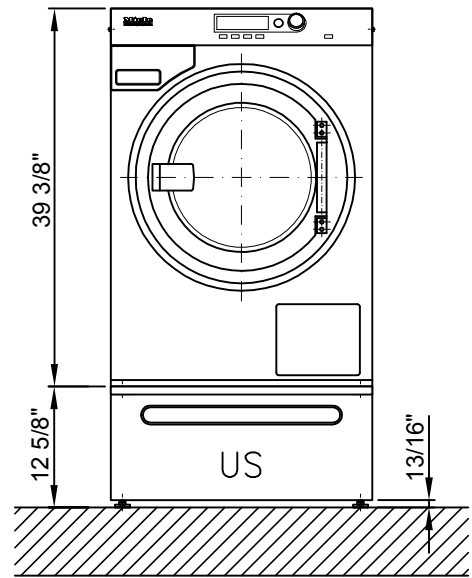
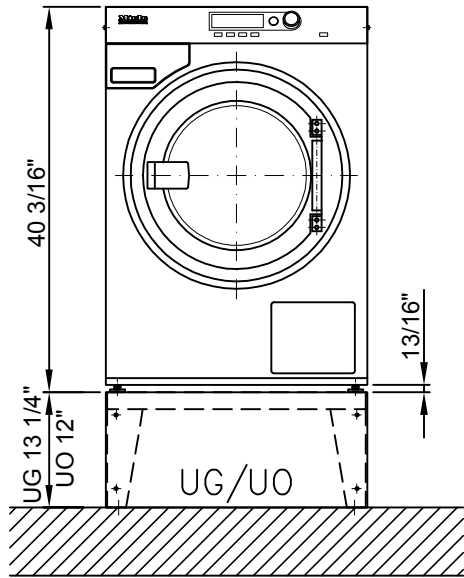


Version with drain pump (LP)

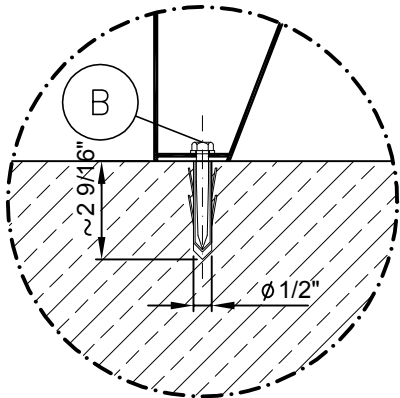


Version with drain valve (AV)

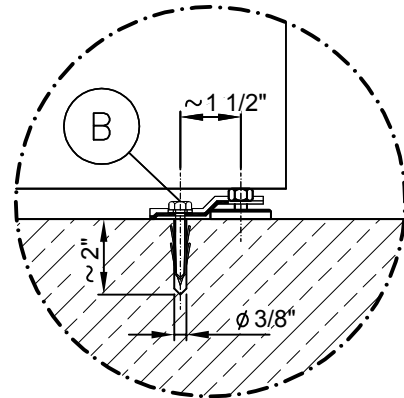


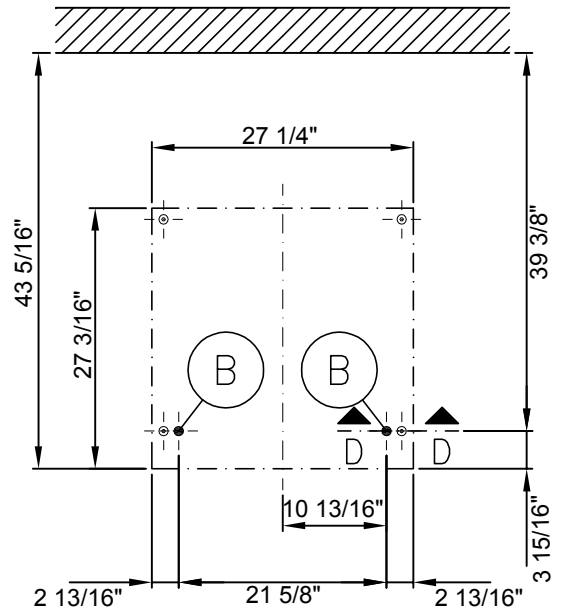
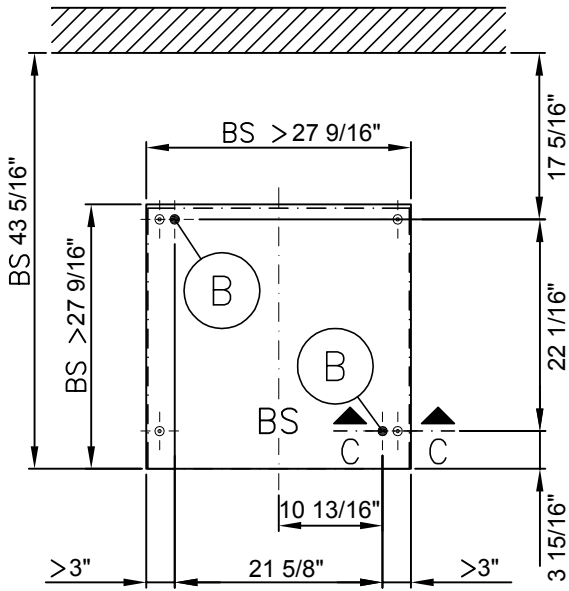
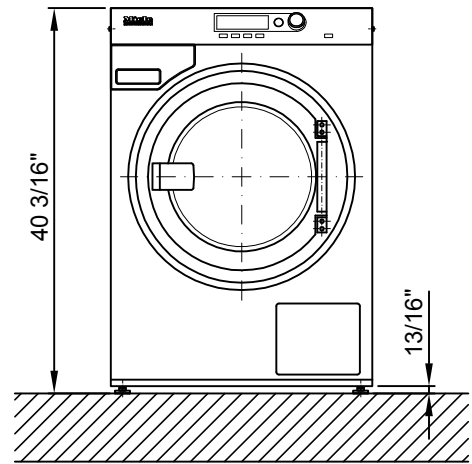
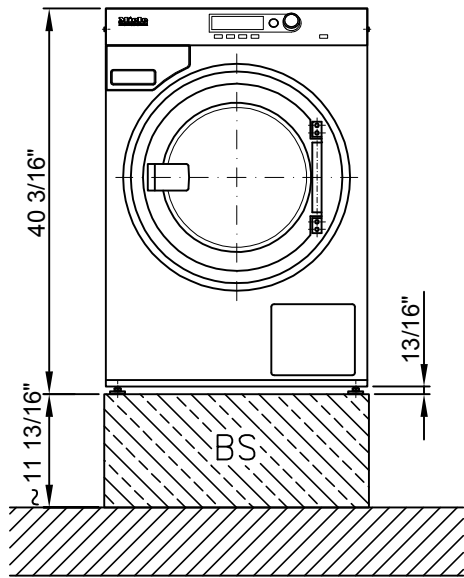


A - A

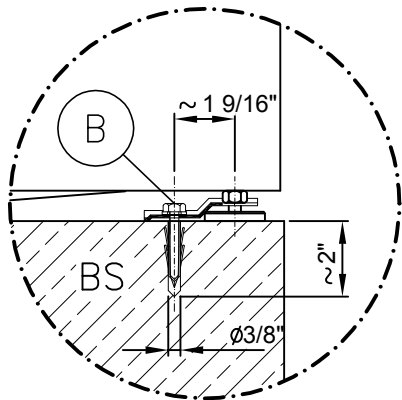


B - B

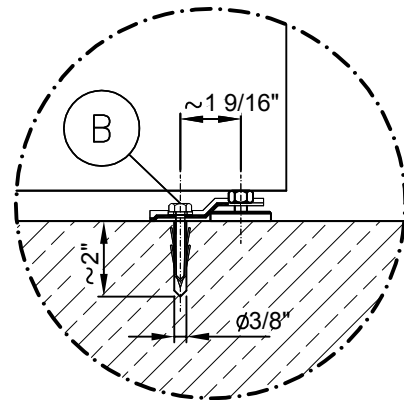


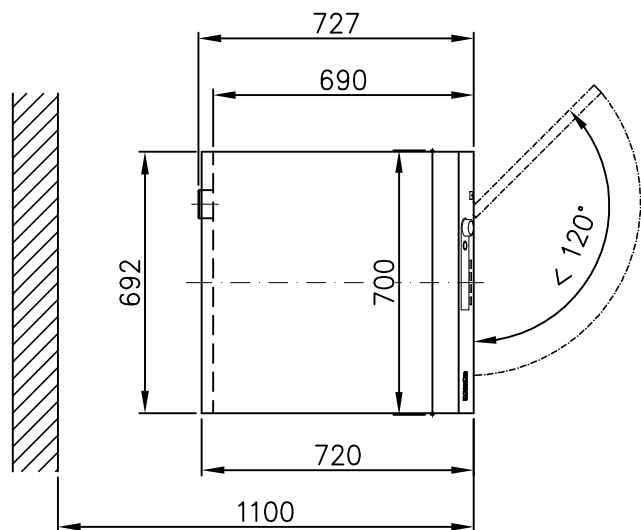
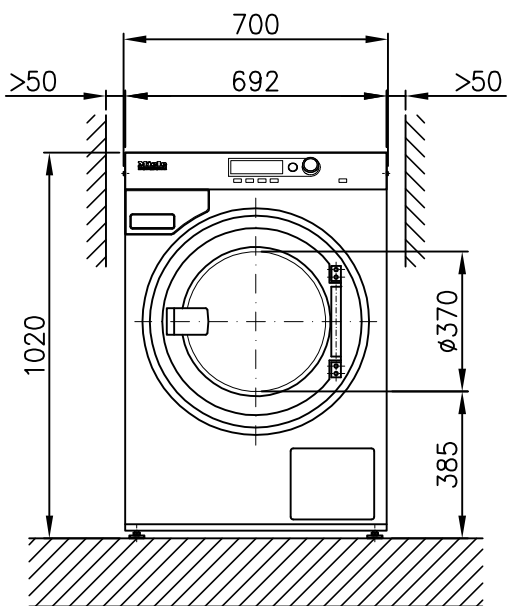
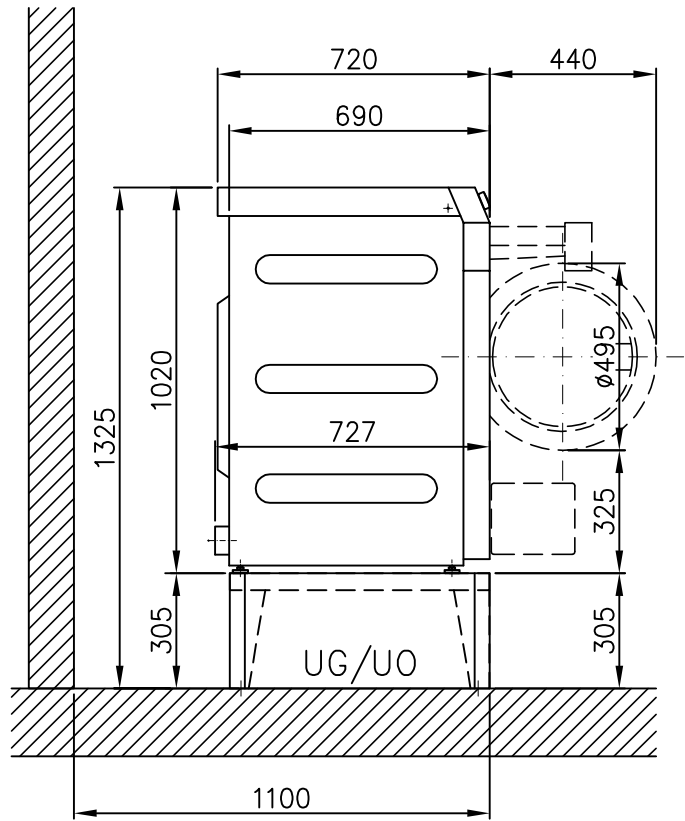
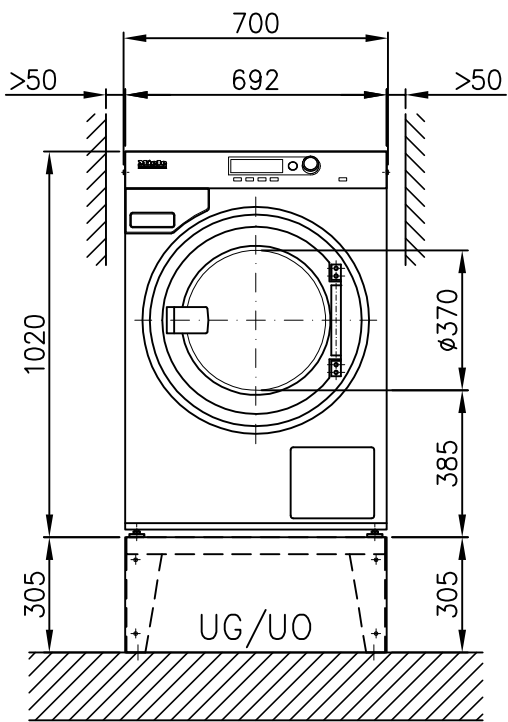


C - C

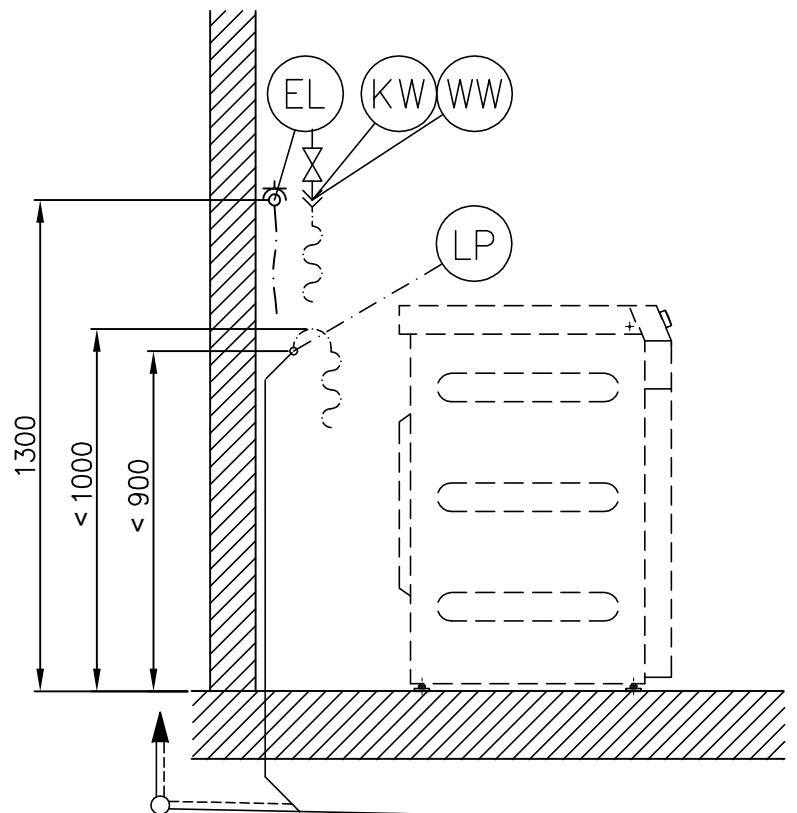
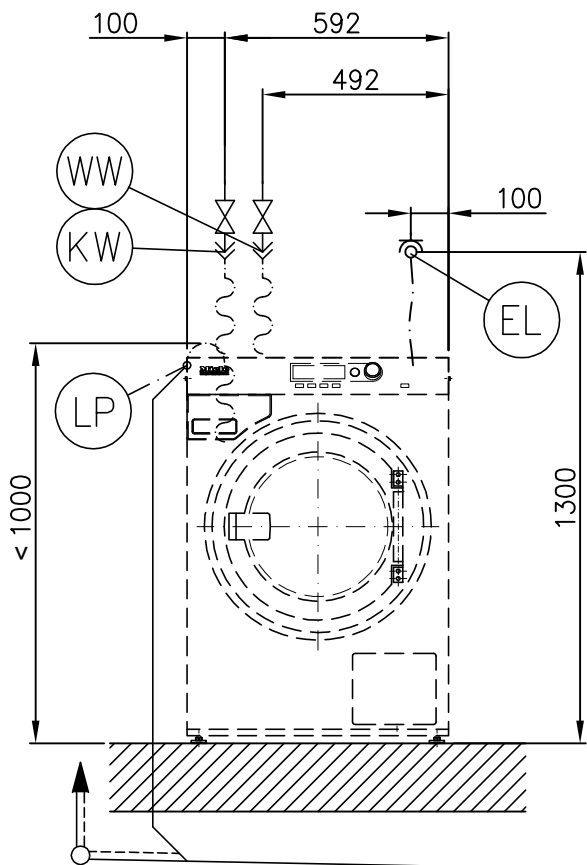
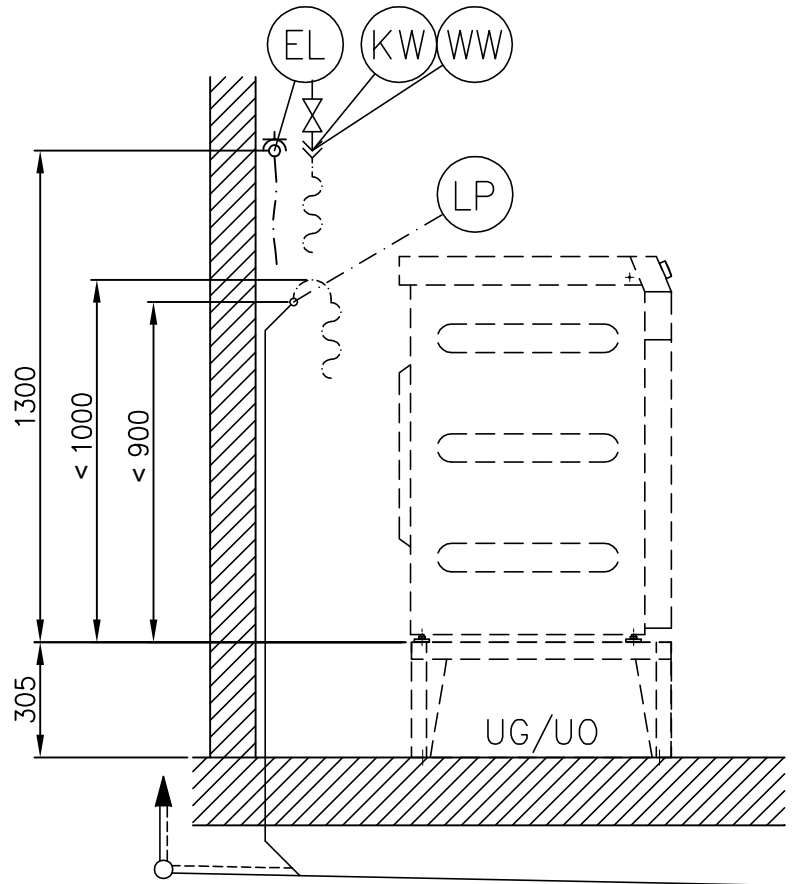
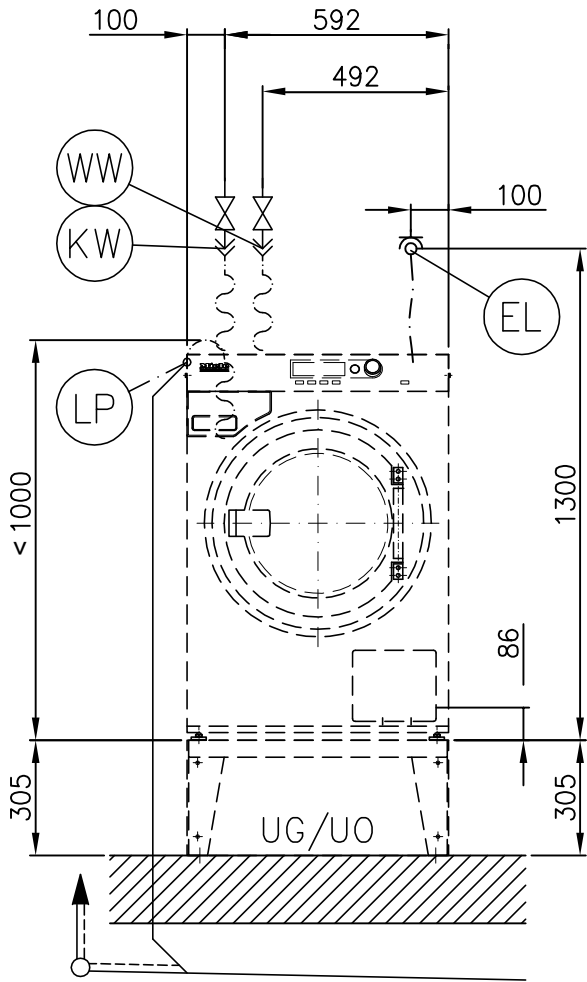


D - D

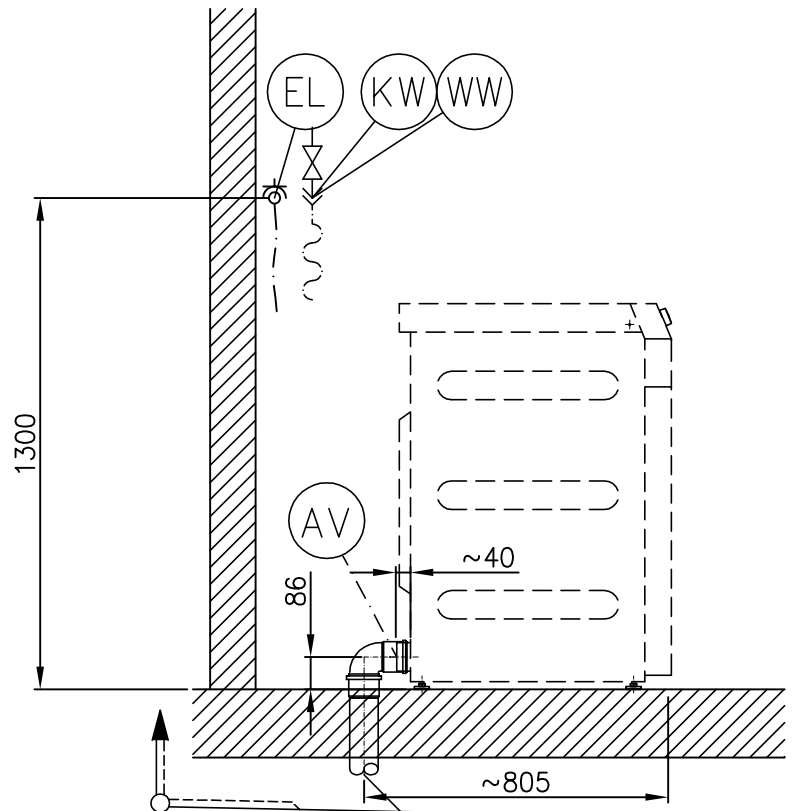
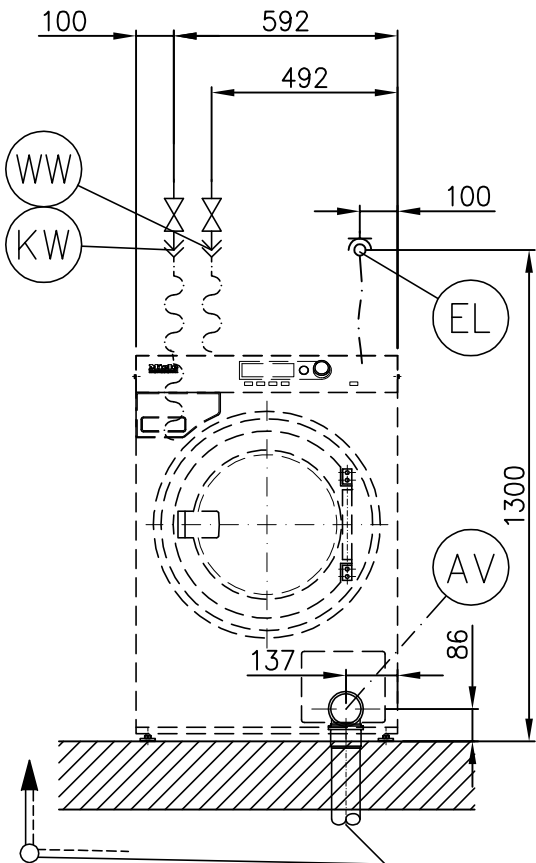
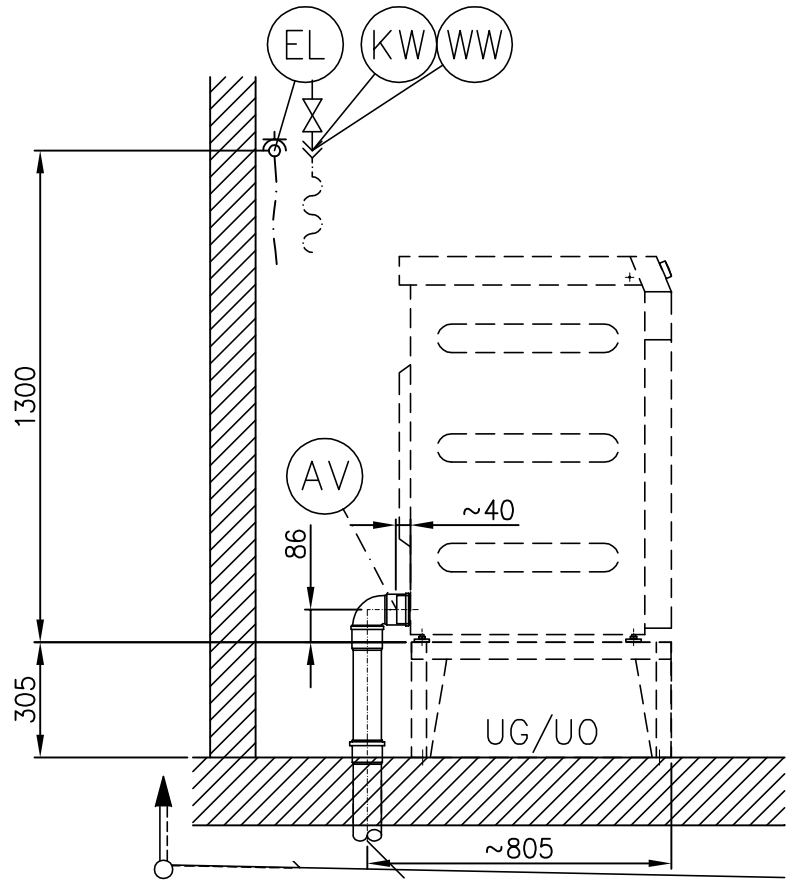
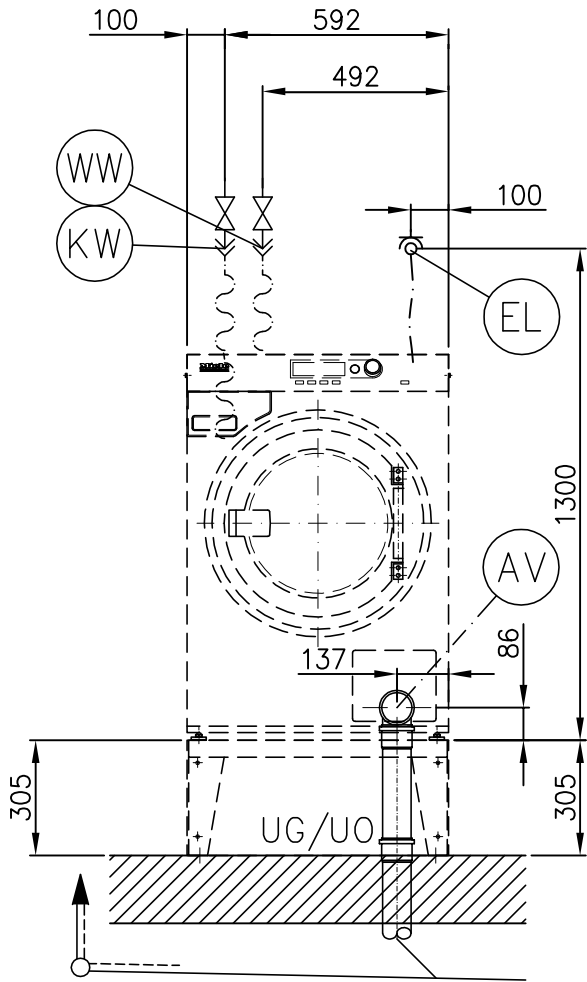


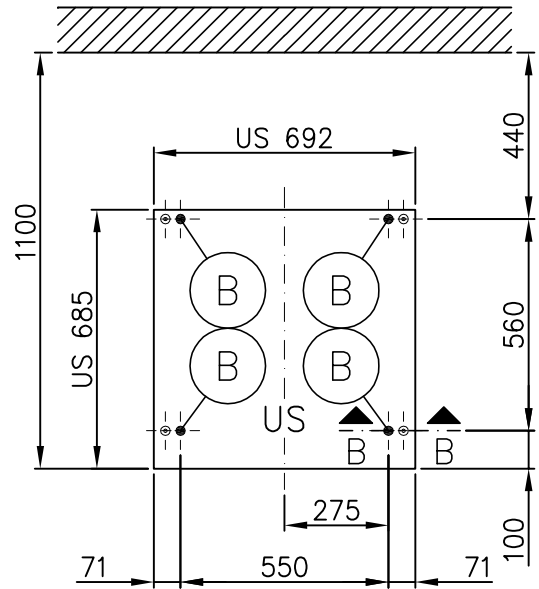
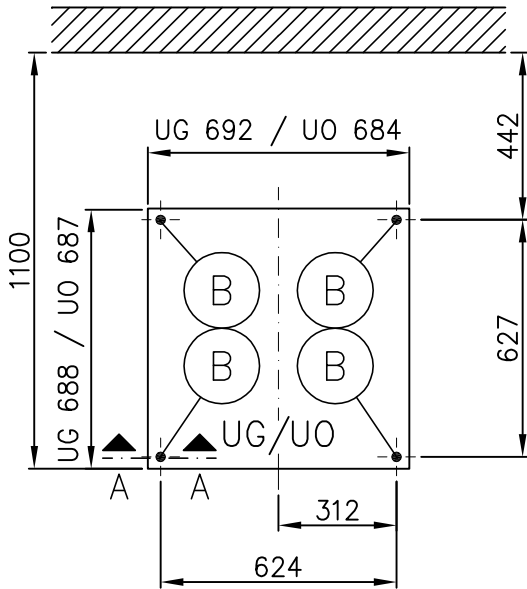
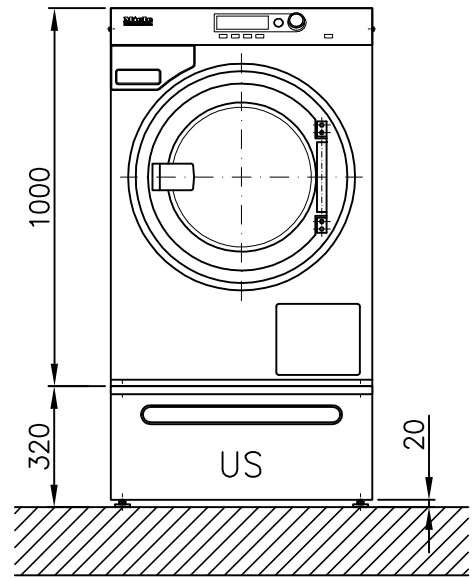
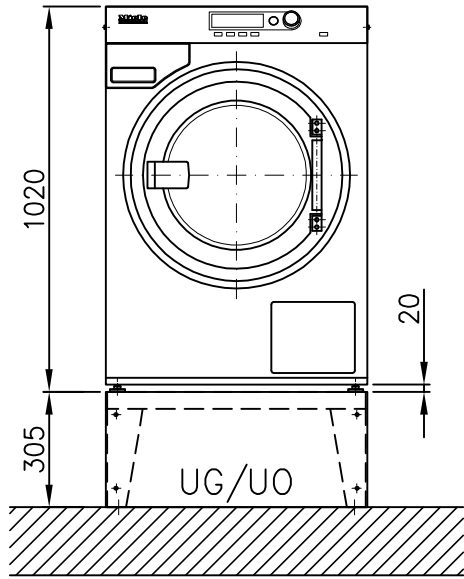


Version with drain pump (LP)

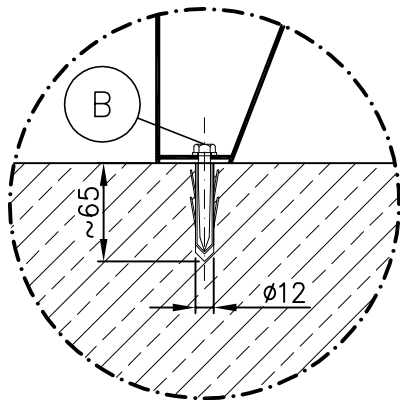


Version with drain valve (AV)

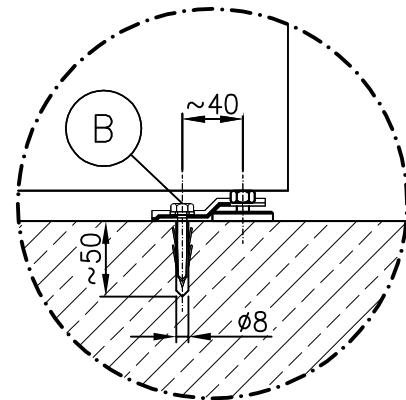


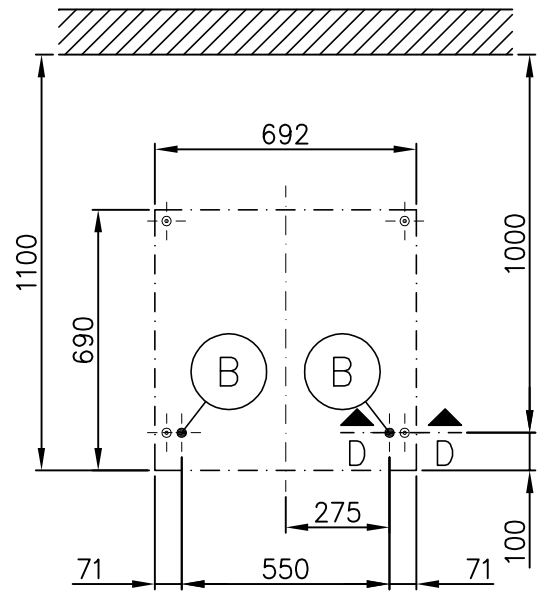
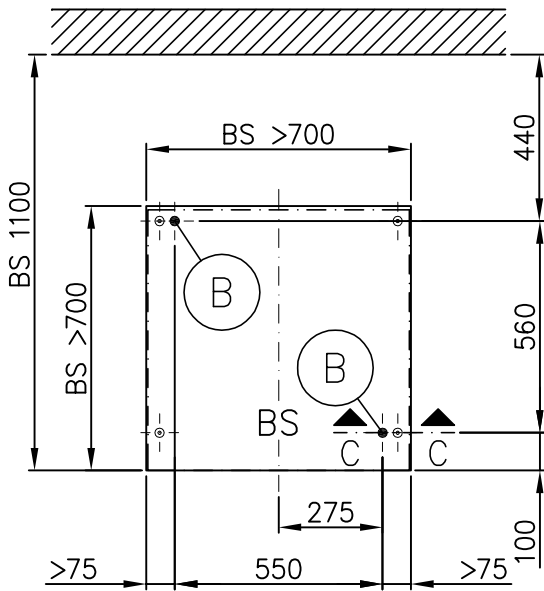
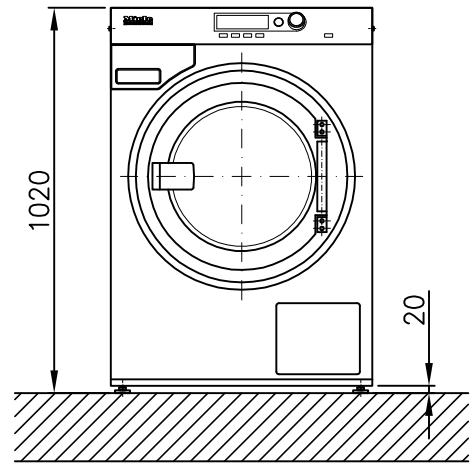
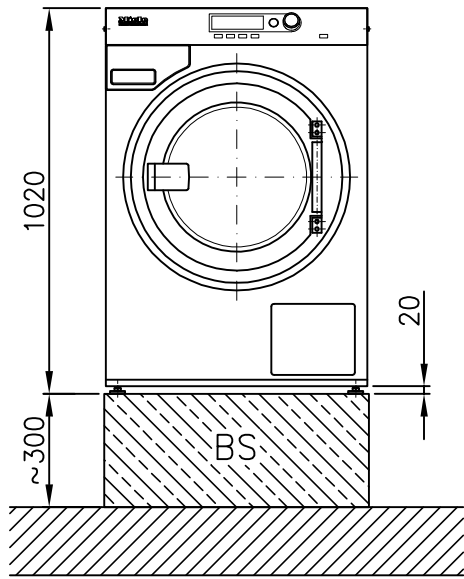


A - A

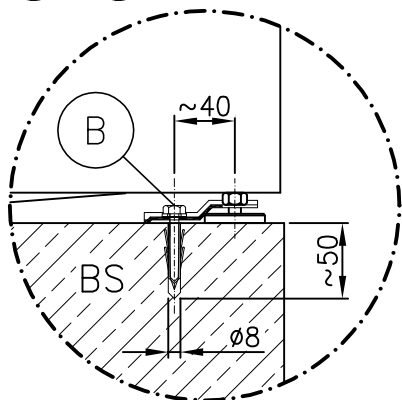


B - B

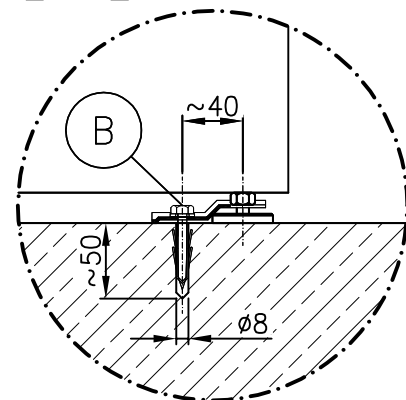




C - C



D - D



Technical datasheet



Washer-extractor:
Heating:

PW 6080
Electric (EL)

Legend:



Abbreviations in bold type:
Connection required



Abbreviations in circle with dashes:
Connection optional or required depending on model version



en - US

Optional extras:

UM	Miele base	UO 6008 (UO = open base) Height Width Depth	12" 26 15/16" 27 1/16"	305 mm 684 mm 687 mm
		UG 6008 (UG = closed base) Height Width Depth	12" 27 1/4" 27 1/16"	305 mm 692 mm 688 mm
		US 6008 (US = base with drawer) Height Width Depth	12 5/8" 27 1/4" 27"	320 mm 692 mm 685 mm
BS	Concrete base	Quality and density of concrete must comply with load. Concrete base must be firmly secured to floor! Recommended height Minimum height Recommended width Recommended depth	 11 13/16" 2 3/4" ≥27 9/16" ≥27 9/16"	 300 mm 70 mm ≥700 mm ≥700 mm
	Dispensing pump	External dispensing pumps (2 or 4 head pump): Voltage (external power supply required) Fusing Supplied with supply cable and plug		120V 15A NEMA 5-15

Machine connections:

	Electrical connection (convertible)	1. Standard voltage (2 AC 220-240V 60Hz) Voltage Frequency Rated load Fuse rating Length of supply lead Supplied with plug	V Hz kW A 78 3/4" NEMA L15-30P	2 AC 220-240V 60 4.4 - 5.2 2 x 30 2000 mm NEMA L6-30P
		2. Standard voltage (2 AC 208V 60Hz) Voltage Frequency Rated load Fuse rating Length of supply lead Supplied with plug	V Hz kW A 78 3/4" NEMA L6-30P	2 AC 208V 60 4.0 2 x 30 2000 mm NEMA L6-30P

		<p>Electrical connection must comply with national regulations.</p> <p>Connection using multi-pole wall lockable socket in compliance with IEC/EN 60309 and IEC/EN 60947 is recommended in order to simplify electrical tests. If machines are hard-wired, a multi-pole mains switch must be provided on site. Switches with a contact gap of more than 3 mm can be used. These include switches, fuses and contactors (IEC/EN 60947). A wall socket or mains isolator must be easily accessible after installation.</p> <p>Reinstallation of the supply point, changes to the equipment or checks on the protective conductor, including determination of correct fuse rating, should only be performed by a properly trained electrician.</p> <p>If necessary, equipotential bonding with good galvanic contact must be provided in accordance with all appropriate national and local regulations.</p>		
	Cold water (Soft water)	<p>Min. flow pressure Max. pressure Max. throughput On-site connection thread</p> <p>Length of connection hose (supplied: 1 connection hose) Hourly water demand (average for 60°C program) for standard connection (with hot and cold water) If hot water supply is not available add hot water inlet to cold water inlet.</p>	<p>14.5 psi 145 psi 2.9 gal/min H_D1" garden hose thread, male 61⁰⁰</p> <p>approx. 18.5 gal/hr</p>	<p>100 kPa 1000 kPa 11 l/min H_D1" garden hose thread, male 1550 mm</p> <p>approx. 70 l/hr</p>
	Hot water (Soft water)	<p>Max. temperature Min. flow pressure Max. pressure Max. throughput On-site connection thread</p> <p>Length of connection hose (supplied: 1 connection hose) Hourly water demand (average for 60°C program)</p> <p>Machine can be connected to a hot water supply line with a temperature of 70°C (158°F) to max. 85°C (175°F). This requires a separate inlet hose. This additional inlet hose is available from Miele. The machine must also be reprogrammed by Miele Service. If hot water is not available, connect hot water hose to cold water valve!</p>	<p>158°F 14.5 psi 145 psi 2.9 gal/min H_D1" garden hose thread, male 6F⁰⁰</p> <p>approx. 18.5 gal/hr</p>	<p>70 °C 100 kPa 1000 kPa 11 l/min H_D1" garden hose thread, male 1550 mm</p> <p>approx. 70 l/hr</p>

LP	Drain pump	<p>Max. temperature Drain hose (int. diameter) On-site hose connector for drain hose (int. diameter x length) Max. transient throughput Drain pump head height (from floor level)</p> <p>Vented drainage required. If ventilation is insufficient, fit Miele kit, Mat. no. 05238090. Drain manifolds serving several machines must be of sufficient cross-section.</p>	<p>158°F 7/8" 7/8" x 1 3/16"</p> <p>6.9 gal/min 39 3/8"</p>	<p>70 °C 22 [DN 22] mm 22 ϕ 30 mm</p> <p>26 l/min 1000 mm</p>
AV	Dump valve	<p>Max. temperature Machine-side drain connection (ext. diameter) On-site drain (int. diameter) Max. transient throughput</p> <p>Vented drainage required. If ventilation is insufficient, fit Miele kit, Mat. no. 05238090. Drain manifolds serving several machines must be of sufficient cross-section.</p>	<p>158°F 2 15/16" 2 15/16" 16.4 gal/min</p>	<p>70°C 75 [DN 70] mm 75 [DN 70] mm 62 l/min</p>
B	Fittings for base / floor installation	<p>Miele base UG/UO 6008 4 x metal angled brackets (to secure machine to base) 4 x screws DIN 571 (Ø x length) 4 x rawl plugs (Ø x length) Base must be bolted to the floor. Machine must be fixed to the base. Fixing materials for a floating screed floor are to be provided on site.</p>	<p>5/16" x 2 9/16" F1G0 x 2 3/8"</p>	<p>8 x 65 mm 12 x 60 mm</p>
		<p>Miele US 6008 base 4 x metal angled brackets (to secure machine to base) 4 x screws DIN 571 (Ø x length) 4 x rawl plugs (Ø x length) Base must be bolted to the floor. Machine must be fixed to the base. Fixing materials for a floating screed floor are to be provided on site.</p>	<p>1/4" x 2" 5/16" x 1 9/16"</p>	<p>6 mm x 50 mm 8 mm x 40 mm</p>
		<p>Installation on floor or concrete base 2 x clamps 2 x screws DIN 571 (Ø x length) 2 x rawl plugs (Ø x length) Machine must be bolted to the base or floor. Fittings are supplied with machine. Fixing materials for a floating screed floor are to be provided on site.</p>	<p>1/4" x 2" 5/16" x 1 9/16"</p>	<p>6 mm x 50 mm 8 mm x 40 mm</p>
	Machine data	<p>Unit width Unit depth Unit height Casing width Casing depth</p> <p>Minimum width of delivery access to installation site Recommended rear wall gap (measured to front of machine) Minimum rear wall gap (to front of machine) Recommended rear wall gap ensures sufficient space for maintenance and servicing.</p> <p>Net weight Dynamic floor load, max. Static floor load, max. Dynamic load, max. Drum frequency, max. Average heat dissipation (dependent on ambient room temperature and program selected)</p> <p>Sound pressure (re 20 mPA), workplace-related (at distance of 1 m and height of 1.6 m)</p>	<p>27 9/16" 28 5/8" 40 3/16" 27 1/4" 27 3/16"</p> <p>28 3/8" 43 5/16" 35 7/16"</p> <p>309 lbs 2600 N 1850 N 750 N 22 Hz 2830 BTU/hr</p> <p><70 dB (A)</p>	<p>700 mm 727 mm 1020 mm 692 mm 690 mm</p> <p>720 mm 1100 mm 900 mm</p> <p>140 kg 2600 N 1850 N 750 N 22 Hz 0.83 kWh</p> <p><70 dB (A)</p>
<p>Installation should only be carried out by authorized fitters in accordance with valid regulations! Observe installation instructions when installing machine! All rights reserved!</p>				