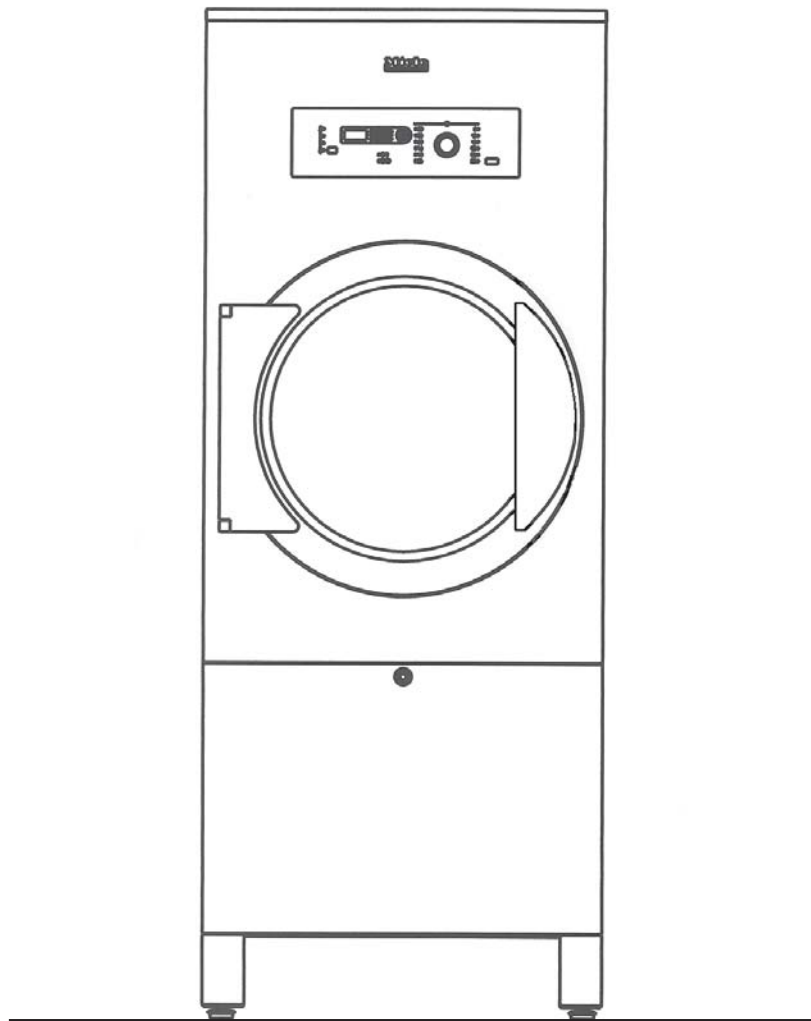


Operating instructions

# Dryers



PT 8301 SL  
PT 8303 SL

To avoid the risk of accidents or damage to the machine it is **essential** to read these instructions before installing, commissioning and using it for the first time.

en - CA, US

M.-Nr. 07 985 561



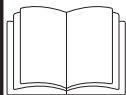
<b>Warning and Safety instructions</b> .....	4
<b>Caring for the environment</b> .....	6
<b>Guide to the machine</b> .....	7
<b>Description of tumble dryer PT 8303</b> .....	8
<b>Drying</b> .....	9
Sort the laundry .....	9
Before using for the first time .....	10
Switching the dryer on and loading the drum .....	10
Selecting a programme .....	10
Lowering the temperature .....	11
At the end of the programme .....	11
After drying .....	11
Interrupting a programme .....	11
Adding or removing items .....	11
<b>Reprogramming</b> .....	12
Reprogramming individual drying programmes (Changing the Standard options) .....	12
Example of reprogramming PT 8303 Profitronic B Plus Residual moisture programme machines .....	12
Programmable functions .....	13
<b>Problem solving guide</b> .....	14
Error messages .....	14
Other messages .....	14
<b>Cleaning and care</b> .....	15
Fluff filter .....	15
<b>Installation and connection</b> .....	16
Levelling the appliance .....	17
To fit the language insert (programme selection) .....	17
Communication module XKM RS232 .....	17
Electrical connection .....	18
Air inlet and exhaust connection .....	18
<b>Technical data</b> .....	19

## Warning and Safety instructions

### Explanation of the Warning and Safety symbols on the machine



It is essential to read these operating instructions.



Please refer to specific instructions, e.g. Installation instructions



Caution, hot surfaces.



Caution, voltage up to 1000 volts.



Earthing

To avoid the risk of accidents and damage to the machine read the operating instructions carefully before using it for the first time. They contain important information about the installation, safety, use and maintenance of the machine. Keep them in a safe place and ensure that new users are familiar with the content. Pass them on to any future owner of the machine.

This tumble dryer is only intended for industrial or institutional use and should not be used by anyone who is not specially trained to operate it. This also applies to industrial applications performed in residential environments.

All personnel working with this machine must be fully trained in all aspects of its use and safety.

### Correct application

► This dryer must only be used for drying articles which were washed in water and which have a care label stating that the article is suitable for machine drying.

► **To prevent the risk of fire, the following must not be dried in this tumble dryer** (with the exception of those fabrics which can be dried in the Special Programs specifically designed for them):

- fabrics which contain a large proportion of rubber, foam rubber or rubber-like materials.
- items which have been treated with inflammable cleaning agents.

- items which have been splashed with hair lacquer, hair spray, nail varnish remover or similar substances.
- items which have been soiled with oils or residues containing grease (kitchen oils, cosmetics etc.).
- items soiled with wax or other chemicals (e.g. mops and floor cloths).
- items with damaged padding or fillings (e.g. pillows, jackets).
- items soiled with grease or oil which have not been properly cleaned beforehand. Use heavy-duty detergents where necessary to clean heavily soiled garments, e.g. workwear. If necessary consult the detergent manufacturer for advice.

With sensitive fabrics there may be a danger of them **self igniting** if dried for too long. They should be removed as soon as the program has finished or if there is a power cut.

Keep a fire extinguisher near the machine at all times.

► Do not unload laundry from the drum **until the cooling down phase** has been completed.

Hot laundry can self ignite and cause a fire when folded or put away.

► Check that all pockets of workwear etc are empty to avoid the danger of inflammable objects, e.g. cigarette lighters, matches, candles or cosmetics being placed in the dryer.

► If the dryer is installed in a public area the owner must ensure that it can be operated safely.

► This dryer must not be used outside.

### Technical and electrical safety

► This machine must only be installed and commissioned by a Miele technician.

► The electrical safety of this machine can only be guaranteed if connected to a correctly installed earthing system on site. It is most important that this basic safety requirement is present and tested regularly, and where there is any doubt, the on-site electrical wiring should be inspected by a qualified electrician. The manufacturer cannot be held liable for the consequences of an inadequate earthing system (e.g. electric shock).

► The machine is only completely isolated from the electricity supply either when it is switched off at the isolator switch or the mains fuse has been withdrawn.

► Repairs to electrical heated appliances should only be carried out by a suitably qualified and competent person in accordance with local and national safety regulations. Repairs and other work by unqualified persons could be dangerous. The manufacturer cannot be held liable for unauthorised work.

► Faulty components must only be replaced by genuine Miele original spare parts. Only when these parts are fitted can the safety standards of the machine be guaranteed.

▶ This machine must not be operated in the same room as dry cleaning machines which use solvents containing chlorofluorocarbons (CFCs). Escaping vapours break down during combustion into hydrochloric acid which can have a detrimental effect on both the laundry and the machine. Even when such machines are installed in separate rooms, care should be taken to ensure that no exchange of air can take place.

▶ The dryer must have a constant supply of fresh air. Vapours containing chlorine, fluorine or other solvents must not be able to reach the dryer.

▶ The ventilation inlet to the dryer is located at the back of the machine. It must not be blocked or hindered in any way. Do not cover the machine lid with cloths or similar items.

▶ Benzene, petrol, paraffin or any easily flammable substance must not be stored or used near the tumble dryer. **Fire and explosion risk.**

▶ To ensure the correct performance of the machine and to prevent the risk of faults and fire, it is important to check the machine and carry out maintenance on a regular basis.

### Use

▶ Compliant use of the dryer has been investigated with respect to industrial use only (UL1240).

▶ This tumble dryer must only be used when it is connected to a suitable ducting system. The installation site must be adequately ventilated.

▶ This tumble dryer is not intended for use by people with reduced physical, sensory or mental capabilities, or lack of experience or knowledge, unless they are supervised whilst using it or have been shown how to use it by a person responsible for their safety.

▶ Keep children away from the tumble dryer at all times. It is not a toy! To avoid the risk of injury do not allow them to play on or near it or to play with the controls. Supervise children whilst you are using it.

▶ Always close the drum door and the fluff filter compartment after use to avoid:

- the risk of children hiding things in the dryer
- the risk of children and small animals climbing into the drum and endangering their lives.

▶ Do not use a machine with damaged controls or cables. These must be repaired before it is used again.

▶ Do not damage, remove or bypass the safety features, fixtures and control elements of this machine.

▶ Any removable outer panels must be back in place, and all moving or electrical parts shielded before the machine is switched on.

▶ Whilst the dryer is in use the porthole glass and drum door frame can become very hot. Laundry will also be very hot if you remove it early.

▶ To prevent the risk of injury or scalding components carrying steam must not be touched.

▶ Always make sure that the drum is stationary before reaching into the machine to remove laundry. Reaching into a moving drum is extremely dangerous.

▶ Take care near the drum door hinges and the fluff filter compartment flap. Danger of injury. Ensure that you always use the handles.

▶ The drum door must be able to be opened to its fullest extent. This area must not be restricted by doors or structural features.

▶ Do not use the machine without the built-in fluff filter in place. **Fire risk.**

A damaged fluff filter must be replaced before the machine is used again.

Otherwise fluff and lint will cause a blockage in the airways, the heating and the vent ducting, and the correct functioning of the machine cannot be assured.

▶ Cleaning and disinfecting agents often contain chlorine-based substances. Do not let such agents come into contact with the stainless steel surfaces, as the chlorine can have a corrosive effect and cause rust. Use chlorine-free agents for washing and disinfecting and also for cleaning stainless steel surfaces to protect them from corrosion. If in doubt, confirm with the manufacturer that their product is suitable. If any agent containing chlorine comes into contact with the stainless steel surfaces, wipe it away immediately with clean water. Then dry with a soft cloth.

▶ Do not use a pressure washer or hose to clean the machine.

### Using accessories

▶ Accessory parts may only be fitted when expressly approved by Miele. Using spare parts or accessories from other manufacturers will invalidate the guarantee, and Miele cannot accept liability.

### Disposing of your old machine

▶ Before disposing of an old machine, first make the door lock unusable. This way you will prevent children from accidentally locking themselves in and endangering their lives.

**Keep these instructions in a safe and accessible place.**

## Caring for the environment

---

### Disposal of the packing material

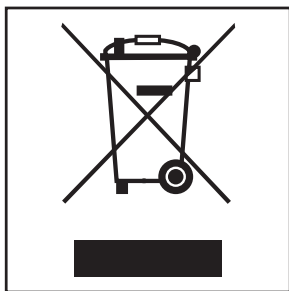
The transport and protective packing has been selected from materials which are environmentally friendly for disposal.

Rather than just throwing these materials away, please ensure they are recycled.

⚠ Ensure that any plastic wrappings, bags, etc are disposed of safely and kept out of the reach of babies and young children. Danger of suffocation.

### Disposing of your old machine

Electrical and electronic machines often contain materials which, if handled or disposed of incorrectly could be potentially hazardous to human health and to the environment. They are, however, essential for the correct functioning of your machine. Please do not therefore dispose of it with your household waste.



Please dispose of it at your local community waste collection / recycling centre. Ensure that it presents no danger to children while being stored for disposal.

See the "Warning and Safety" section of this booklet for further details.

### Tips on saving energy

Make sure that your laundry is thoroughly spun before drying. This saves time and energy.

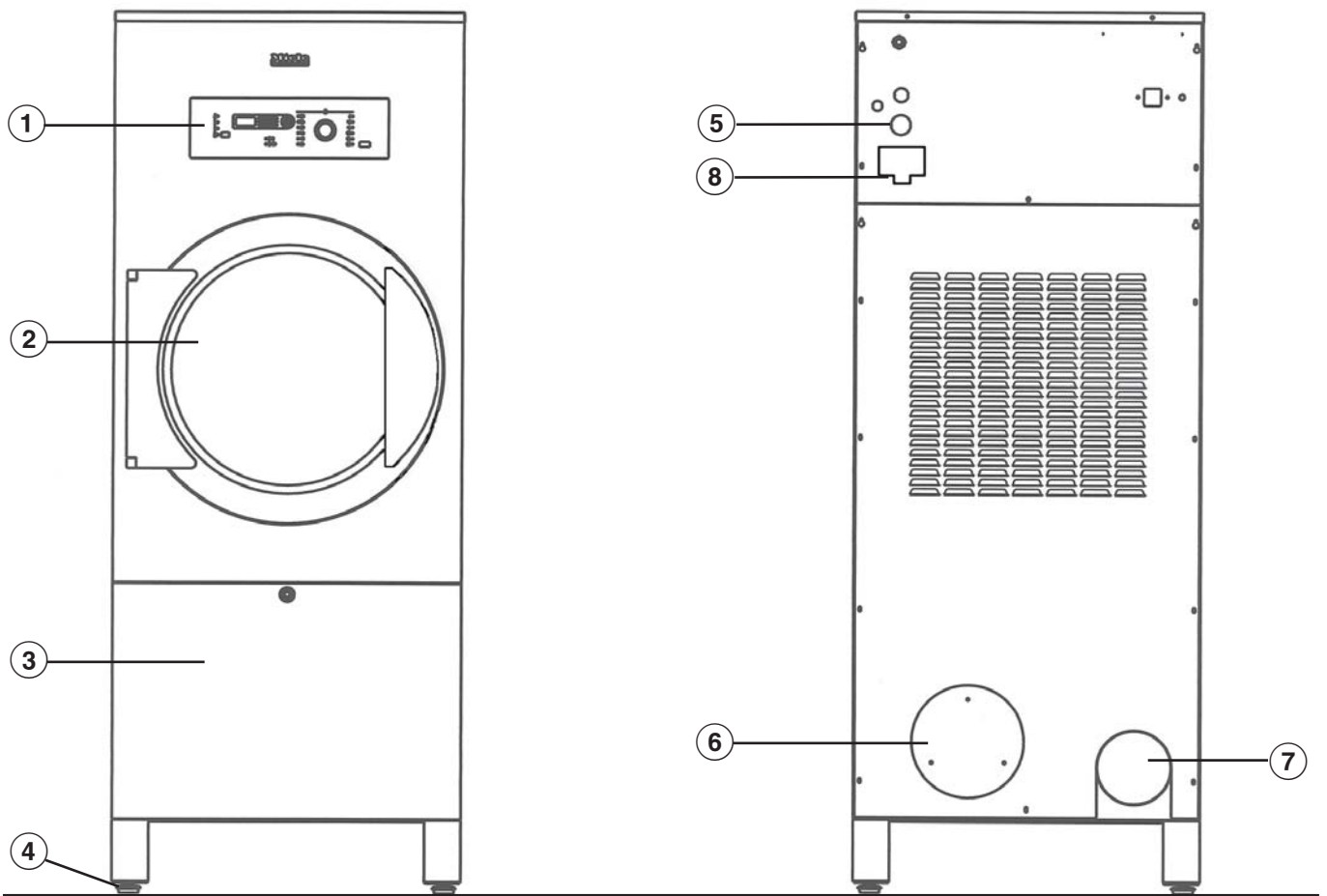
Rinsing the laundry using hot water in the final rinse helps to reduce the residual moisture level, and the residual heat in the laundry will help keep processing time down, thus saving energy.

Sort textiles according to:

- fabric and weave,
- drying level required,
- residual moisture levels.

For greater economy dry a full load. Underloading is uneconomical. Overloading will impair the drying result and the laundry finish.

Ensure that the room is well ventilated.



① **Control panel**

② **Drum door**

Pull the door handle to open the drum door.

③ **Access to fluff filter**

The fluff filter is opened with a key.

④ **4 adjustable screw feet**

⑤ **Electrical connection**

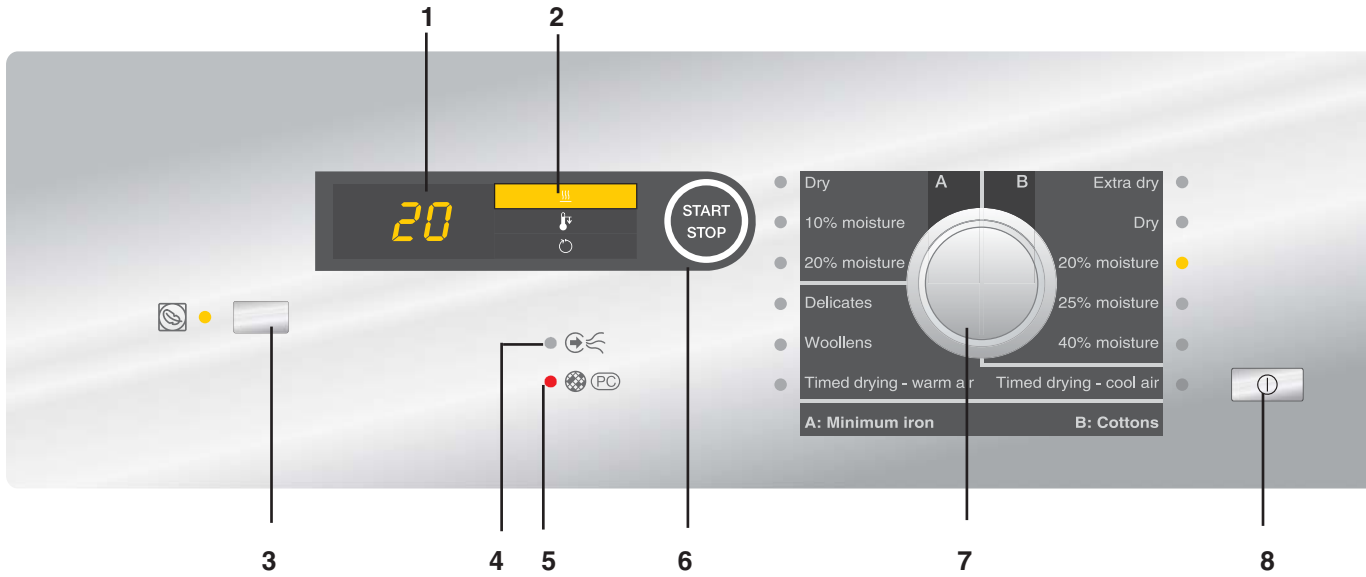
⑥ **Air intake**

⑦ **Exhaust connection**

⑧ **Communication slot (optional)**

# Description of tumble dryer PT 8303

## Control panel PT 8303 Profitronic B Plus Residual moisture programmes



- 1 Segment display - Residual moisture
- 2 Programme sequence display
- 3 Low temperature (additional option) button
- 4 Venting system fault indicator
- 5 Fluff filter fault indicator
- 6 START/STOP button
- 7 Programme selection rotary control
- 8 On/Off switch

### Mains On/Off switch

Switches the machine on or off.

### Low temperature (additional option) button

Lowers the drying temperature (by approx. 20°C). Use for delicate fabrics (e.g. synthetics). The LED will light up.

### Programme selection rotary control

For selecting the drying programme.

A: Minimum iron	B: Cottons
Dry	Extra dry
10% moisture	Dry
20% moisture	20% moisture
Delicates	25% moisture
Woollens	40% moisture
Timed drying warm air	Timed drying cool air

### START/STOP button

Press the Start/Stop button to start or stop the drying programme.

### Segment display

Before the start of a programme this shows the residual moisture which has been allocated to the programme as a %.

After the start of a programme it shows the residual moisture which is currently in the laundry until the programme is finished.

It also shows fault messages, see "Problem solving guide".

It can also show *h* for "Peak load cut-out" (optional).

### Programme sequence display

The programme sequence is displayed in three stages. The stage the programme is at will be highlighted in yellow.

	<b>Drying</b>
	<b>Cooling down</b>
	<b>Programme finished / Anti-crease</b>

### Check venting system fault indicator

This will light up if there is a problem with the venting system.

### Clean the fluff filter fault indicator

This will light up when the fluff filter needs to be cleaned.






# Drying

## Sort the laundry

Not all textiles are suitable for machine drying. Please read the instructions given on the garment care label.

The meaning of the care symbols:

-  = Dry at normal temperature
-  = Dry at low temperature
-  = Do not tumble dry

Sort the laundry according to fibre type and weave to ensure even drying and to prevent the risk of damage to textiles.



**To prevent the risk of fire, the following must not be dried in this tumble dryer** (with the exception of those fabrics which can be dried in the Special Programmes specifically designed for them):

- fabrics which contain a large proportion of rubber, foam rubber or rubber-like materials.
- items which have been treated with inflammable cleaning agents.
- items which have been splashed with hair lacquer, hair spray, nail varnish remover or similar substances.
- items which have been soiled with oils or residues containing grease (kitchen oils, cosmetics etc.).
- items soiled with wax or other chemicals (e.g. mops and floor cloths).
- items with damaged padding or fillings (e.g. pillows, jackets).
- items soiled with grease or oil which have not been properly cleaned beforehand. Use heavy-duty detergents where necessary to clean heavily soiled garments, e.g. workwear. If necessary consult the detergent manufacturer for advice.

## The following textiles should not be machine dried:

Woolens and wool blends as these tend to matt and shrink. Pre-finish drying these using in the "Woolens" program.

Pure linen tends to roughen if tumble dried. Please follow instructions given on the care label.

## Important:

Textiles with large metal accessories such as buckles, hooks and zip tags should be placed in a laundry bag or a pillow case before drying. This is to protect the drum from scratches and dents during drying.

Garments with closed metal zips can cause the sensor electrodes in the drum ribs to be bridged. This can cause the drying process to go on for too long, or to not finish at all. Open zips before drying.

Loopknit and woven textiles (e.g. T-shirts and underwear) have a tendency to shrink depending on their quality. This is made worse by over-drying. Do not use the "Cottons extra dry" for these textiles.

Starched laundry can be machine dried. Select the most appropriate program for ironing by hand or machine.

Sort the laundry according to the level of dryness required. It is not necessary to sort according to size.

Duvet covers and pillow cases should be closed to prevent smaller items rolling up inside them.

For greater economy dry a full load. Underloading is uneconomical. Overloading will impair the drying result and the laundry finish.

Rinsing the laundry using hot water in the final rinse helps to reduce the residual moisture level, and the residual heat in the laundry will help keep processing time down, thus saving energy.


# Drying

This machine must only be installed and commissioned by a Miele Service technician.

## Before using for the first time

Before loading the dryer with laundry, wipe the internal drum surface with a soft, dry cloth.

## Switching the dryer on and loading the drum

- Switch on the on-site mains electricity switch.
- Press the mains On/Off switch .
- Open the drum door.
- Load the drum.  
The pre-sorted laundry should be loaded loosely in the drum.

Make sure any dispensing aids such as detergent balls have been removed from the laundry.

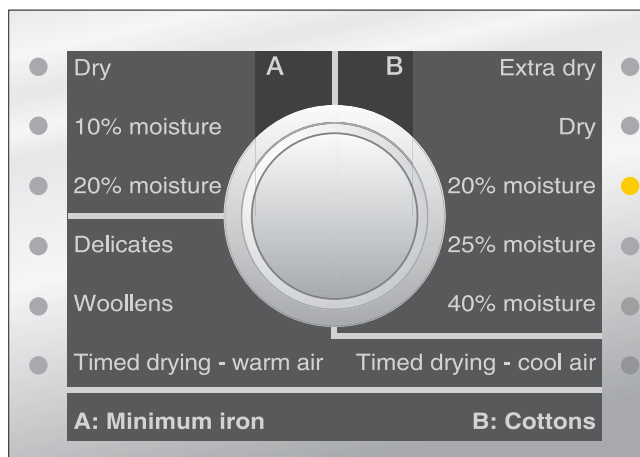
## Max. load (dry weight of laundry)

<b>PT 8303</b>
Drum volume in litres
300
<b>Cottons</b>
12-15 kg
<b>Minimum iron</b>
8.0 kg
<b>Delicates</b>
3.0 kg
<b>Woollens</b>
6.0 kg

To prevent the risk of damaging laundry, make sure it cannot be trapped when the door is closed.

- Close the drum door.

## Selecting a programme



- Use the programme selector rotary dial to select the programme you want. The corresponding LED will light up.

The segment display shows the residual moisture which has been allocated to the programme as a %.

### Cottons

For drying cotton and linen fabrics

- **Extra dry** 0% residual moisture + 10 mins
- **Dry** 0% residual moisture
- **20% moisture** 20% residual moisture
- **25% moisture** 25% residual moisture
- **40% moisture** 40% residual moisture

### Minimum iron

For drying synthetic and mixed fibre fabric

- **Dry** 0% residual moisture
- **10% moisture** 10% residual moisture
- **20% moisture** 20% residual moisture

**Delicates** 20% residual moisture

For drying synthetic and rayon fabric.

**Woollens** 5 minute drying duration

For drying machine washable woollen and wool blend garments.




**Timed drying warm air** 20 minutes drying duration at a high temperature.

**Timed drying cool air** 15 minute duration for airing garments.

## Lowering the temperature

- When drying delicate fabric (such as acrylic), press the  Low temperature additional option button.
- Press the START/STOP button.  
The drying programme will begin.

The segment display will show the residual moisture which is currently in the laundry until the programme is finished.




	<b>Drying</b>
	<b>Cooling down</b>
	<b>Programme finished / Anti-crease</b>

The programme sequence is displayed in three stages. The stage the programme is at will be highlighted in yellow.

## At the end of the programme

At the end of the programme a buzzer will sound to indicate that it has finished. "E" will appear in the segment display.

This is followed by a cooling-down phase.

	<b>Drying</b>
	<b>Cooling down</b>
	<b>Programme finished / Anti-crease</b>

If laundry is not removed as soon as the programme finishes, the anti-crease phase will begin. The drum will rotate at brief intervals to keep the laundry from creasing.

## After drying

### At the end of the programme

- Open the drum door.

If the door remains closed, the dryer will start up again briefly after an interval of 30 minutes for safety reasons.

- Unload the drum.  
Make sure nothing is left behind in the drum. If items are left in the dryer, they could be damaged by overdrying when the dryer is next used.
- Check the fluff filter and clean it if necessary. Close the fluff filter compartment flap to prevent anyone tripping over it.

## Interrupting a programme


The programme is interrupted by:

- pressing the mains On/Off switch ①,
- opening the drum door,
- opening the fluff compartment flap.

To continue the programme:  
Press the mains On/Off switch ①, or close the drum door or fluff compartment flap.


The target residual moisture level will flash in the segment display, and a cooling-down phase will follow the end of the programme.

- Press the START/STOP button.

 Do not unload laundry from the drum until **after the cooling down phase** has been completed. Hot laundry can self-ignite and cause a fire when folded or put away.

## Adding or removing items

The drum door can be opened during a drying programme to remove or add items if necessary.

 Always make sure that the drum is stationary before reaching into the machine to remove laundry. Reaching into a moving drum is extremely dangerous.

### To continue the drying programme:

- Close the drum door.

The target residual moisture level will flash in the segment display.

The fan will switch itself on automatically if the temperature in the drum is too high.

- Press the START/STOP button to continue the programme.

### If no more laundry is to be processed:

- Close the drum door.
- Switch the dryer off by pressing the mains On/Off switch ①
- Switch off the on-site mains electricity switch.

# Reprogramming

---

## Reprogramming individual drying programmes (Changing the Standard options)

Individual drying programmes can be altered to suit specific requirements, practices and processes.

### Before you begin, first ensure that:


- The dryer is switched off with the "On/Off" switch.
- The door is closed.

### To access the programming level:

- Press and hold the "START/STOP" button and switch the dryer on with the "On/Off" switch.
- Hold the START/STOP button pressed in until the light around the button stops flashing and lights up constantly.
- Release the START/STOP button.

– *P* will flash alternately with *1* in the segment display.

Programmable functions P 1- P 27 (see next page) are selected by turning the rotary dial clockwise.

They can also be selected by pressing the Low temperature additional option button .

Programmable options, e.g. *U* or *1* are selected with the START/STOP button.

The Low temperature additional option LED shows which programmable function is currently selected.

A short (quick) flash represents one unit, a long (slow) flash represents ten units.


Example: The 5th Programmable function is represented by the LED flashing five times quickly.

The 10th Programmable function is represented by the LED flashing once slowly. Programmable

function 45 is represented by the LED flashing four times slowly and five times quickly.

## Example of reprogramming PT 8303 Profitronic B Plus Residual moisture programme machines

### P 2 to alter the buzzer which sounds at the end of the programme (see "Programmable functions").

- Turn the programme selection rotary dial one click clockwise.
- The Low temperature option LED  will flash twice quickly.
- *P* will flash alternately with *1* in the segment display.

Programmable option *U* = Off - *1* = On.

- Pressing the START/STOP button will change the option to *U*.

### To save the setting:


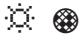
- Switch the dryer off with the "On/Off" switch.

## Programmable functions


No.	Programmable function	Standard	Programmable option
P 1	Buzzer volume	1	0 = quiet 1 = loud
P 2	Buzzer at the end of the programme	1	0 = Off 1 = On
P 3	Memory function	1	0 = Off 1 = On
P 4	Acoustic tone which sounds when a button is pressed	0	0 = Off 1 = On
P 5*	Water conductivity setting	0	0 = Normal 1 = Low
P 6	Fan and heating during pauses	1	0 = Off 1 = On
P 7	Cottons and Timed progs. cold/hot reversing on (0 to 99 secs)	60	0 = 0 sec 99 = 99 secs
P 8	Cottons and Timed progs. cold/hot reversing off (3 to 99 secs)	3	3 = 3 secs 99 = 99 secs
P 9	Minimum iron reversing on (0 to 99 secs)	60	0 = 0 secs 99 = 99 secs
P 10	Minimum iron reversing off (3 to 99 secs)	3	3 = 3 secs 99 = 99 secs
P 11	Woollens duration (1 to 99 mins)	5	1 = 1 min 99 = 99 mins
P 12	Woollens programme reversing on (0 to 99 secs)	20	0 = 0 secs 99 = 99 secs
P 13	Woollens reversing off (3 to 99 secs)	10	3 = 3 secs 99 = 99 secs
P 14	Delicates reversing on (0 to 99 secs)	27	0 = 0 secs 99 = 99 secs
P 15	Delicates reversing off (3 to 99 secs)	3	3 = 3 secs 99 = 99 secs
P 16	Timed programme cold (1 to 99 mins)	15	1 = 1 min 99 = 99 mins
P 17	Timed programme warm (1 to 99 mins)	20	1 = 1 mins 99 = 99 mins
P 19	Residual moisture for Programme 1 Cottons Extra dry	1	1 = -2% 2 = -4% 0 = 0%
P 20	Residual moisture for Programme 2 Cottons Dry	1	1 = 0% 2 = -2% 0 = 2%
P 21	Residual moisture for Programme 3 Cottons 20% moisture	1	1 = 20% 2 = 18% 0 = 22%
P 22	Residual moisture for Programme 4 Cottons 25% moisture	1	1 = 25% 2 = 23% 0 = 27%
P 23	Residual moisture for Programme 5 Cottons 40% moisture	1	1 = 40% 2 = 38% 0 = 42%
P 24	Residual moisture for Programme 9 Delicates	1	1 = 20% 2 = 18% 0 = 22%
P 25	Residual moisture for Programme 10 Minimum iron 20% moisture	1	1 = 20% 2 = 18% 0 = 22%
P 26	Residual moisture for Programme 11 Minimum iron 10% moisture	1	1 = 10% 2 = 8% 0 = 12%
P 27	Residual moisture for Programme 12 Minimum iron Dry	1	1 = 0% 2 = -2% 0 = 2%

# Problem solving guide

## Error messages

Indicator	Possible cause	Remedy
	Over-pressure in vent ducting. Leaks in the airways.	Check the vent ducting. Call the Miele Service Department.
	Fluff filter blocked	Clean the fluff filter.
The dryer does not start.	The fluff filter compartment flap is not closed properly.	Twist the lock for the fluff filter compartment flap in a clockwise direction as far as it will go.

## Other messages

	<p>Peak load cut-out</p> <p>The dryer will continue to run without heating (cold) for the remainder of the programme.</p>	If the peak load cut-out is overridden, the programme will continue as normal.
--	---	--

In the event of any faults please contact the Miele Service Department.

When contacting the Service Department, please quote the Model, Serial number (SN:) and Material number (M.Nr) of your dryer.

See data plate for details:

<b>Model</b>	
<b>SN:</b>	/ 0 0 0 0 0 0 0 0 0 0
<b>Art.-Nr.</b>	<b>Mat.-Nr.</b>
<b>IBN</b>	


The data plate is located at the top of the door aperture with the door open or at the top of the rear of the machine.

## Fluff filter

**⚠** Do not use the machine without the fluff filter in place. **Fire risk.**

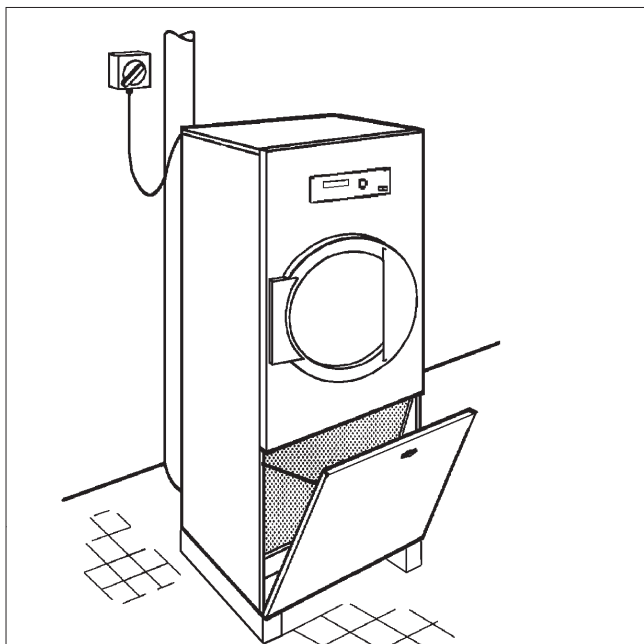
A damaged fluff filter must be replaced before the machine is used again.

Otherwise fluff and lint will cause a blockage in the airways, the heating and the vent ducting, and the correct functioning of the machine cannot be assured.

The fluff filter collects any fluff and lint from the laundry. It should be cleaned at least once a day and when the  indicator comes on.

If there is a large amount of fluff and lint, the filter will need frequent cleaning.

The fluff filter must not be removed. When cleaning it, do so with care and make sure it does not get damaged.



- Open the fluff compartment flap.
- Wipe fluff off the filter by hand. Never use pointed or sharp edged objects to do this.

## Tumble dryer

Before any cleaning or maintenance switch the dryer off at the on-site mains switch.

**⚠** Do not use a pressure washer or hose to clean the machine.

- The housing, control panel and any plastic components should be cleaned using **a suitable mild** cleaning agent, applied with a soft damp cloth. Rub dry with a soft cloth after cleaning.
- If starched laundry has been dried, the drum should be wiped out with a damp cloth afterwards.

**Do not** clean the machine with abrasive cleaning agents.

After cleaning, check the seals for any damage and make sure the door and fluff compartment flap shut correctly.

The **ventilation inlet** to the dryer is located at the back of the machine. It must not be blocked or hindered in any way. Do not cover the machine lid with cloths or similar items.

The area surrounding the machine, in particular around the air inlet, must be kept free of dust and fluff at all times. If taken into the dryer, they can cause faults with the machine.

The following should be checked and cleaned **once a year** by a Miele service technician:

- The heaters and heater shaft on electric-heated dryers.
- The entire interior of the dryer
- The fins on the exhaust fan

**⚠** To ensure the correct performance of the machine and to prevent the risk of faults and fire, it is important to check the machine and carry out maintenance on a regular basis.

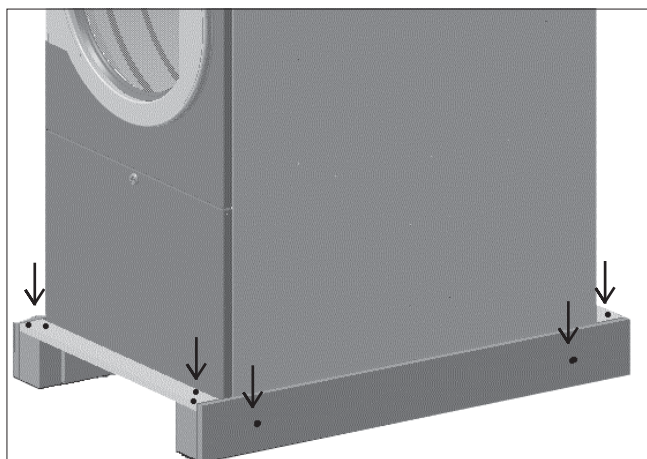
## Installation and connection

This dryer must only be installed and commissioned by a Miele Service technician.

This appliance must be installed in accordance with local and national regulations. It must only be operated in a room with sufficient ventilation. Read the instructions supplied with the appliance before installing and using it for the first time.

Do not install the tumble dryer in a room where there is a risk of frost occurring.

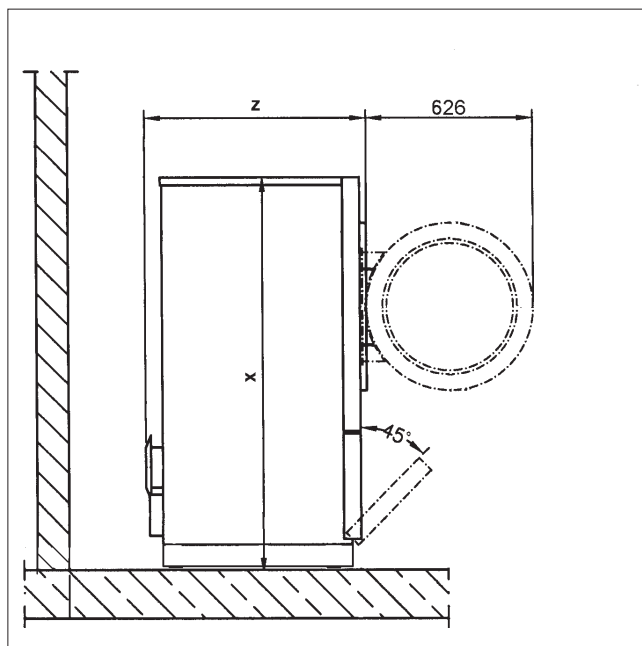
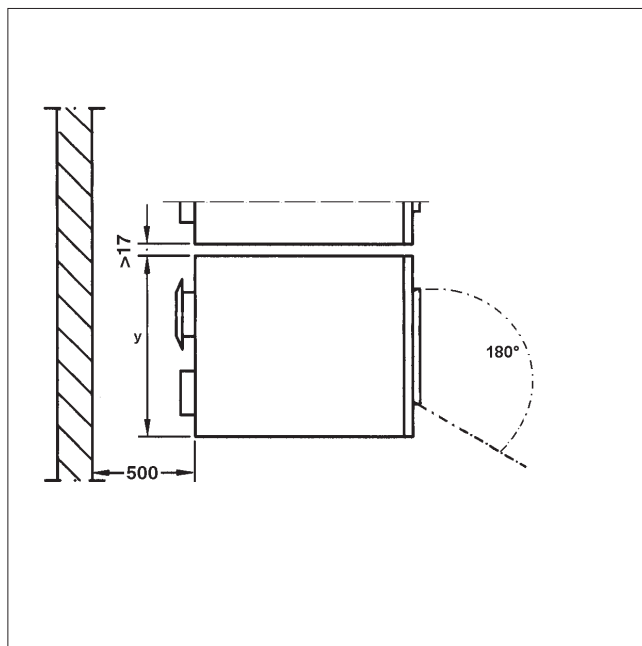
Use a suitable fork-lift to transport the dryer to its final location. **Caution. Danger of tipping.**



Remove the transport packaging. Unscrew the Torx T 20 and 30 screws on the wooden pallet and remove the wooden battens.

Using a suitable fork-lift, raise the dryer and fit the four feet supplied.

To ensure suitable access for future maintenance and service work, please ensure that the minimum distances between the dryer and the wall specified on the installation diagram are strictly observed.



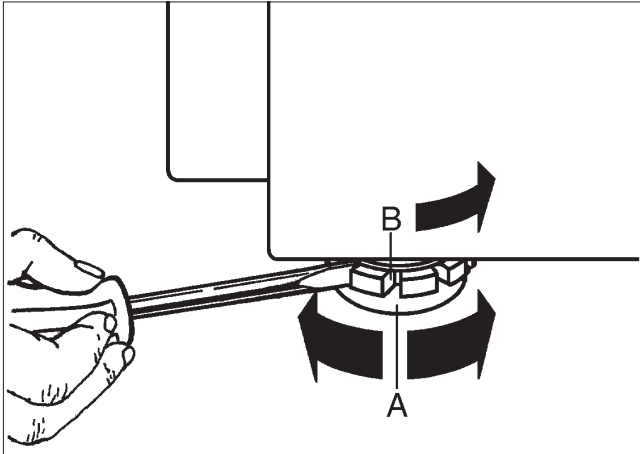
	PT 830x
<b>x</b>	1800 mm
<b>y</b>	710 mm
<b>z</b>	1090 mm



## Levelling the appliance

The dryer does not require a plinth. However, make sure that any uneven areas of the floor are made level.

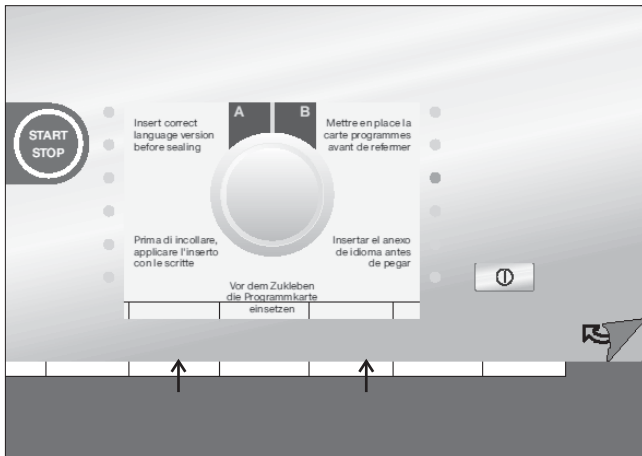
The dryer must be perfectly level to ensure that it functions correctly.



The screw feet **A** can be adjusted to align it.

After aligning the dryer correctly you need to use a screwdriver to secure discs **B** to the floor plate.

## To fit the language insert (programme selection)



Remove the protective cover on the control panel. Carefully lift up the lower area of the control panel cover underneath the programme rotary dial slightly. Push in the language insert and align it. Remove the dividers which are located underneath and press the control panel cover down.

## Reducing the noise level

This dryer is fitted with an exhaust fan which can be heard during operation.

If this noise disturbs you it is possible to fit a silencer (available from Miele as an optional accessory) into the dryer's exhaust duct (see Installation instructions).

## Communication module XKM RS232

This dryer can be fitted with a communication module which enables it to be linked to a PC via a serial interface.

The slot for the communication module is located on the rear of the dryer.

# Installation and connection

---

## Electrical connection

The electrical components of this dryer comply with IEC 335-1 and IEC 335-2-11.

All electrical work must be carried out by a suitably qualified and competent person in strict accordance with current local and national safety regulations.

For technical data see data plate or wiring diagram supplied. The wiring diagram is supplied with the dryer.

The dryer shall only be operated with the voltage, frequency and fusing shown on the **data plate**.

Connection should be made via a suitable isolator in accordance with national regulations, with an on-off switch which is easily accessible for servicing and maintenance work after the dryer has been installed. An electrical safety test should easily be performed after installation and after any servicing work.

When hard-wired a main power switch with all-pole disconnection is to be installed. When switched off there must be an all-pole contact gap of at least 3 mm in the mains connection switch, which should be lockable in the neutral position.

The mains connection cable may only be replaced by an original Miele spare part or an appropriate cable with wire end ferrules.

If the appliance is disconnected from the electricity supply ensure adequate measures are taken to ensure that the appliance cannot be reconnected to the electricity supply until all work has been carried out (lockable disconnect or monitoring of connection site).


After the dryer has been connected to the electricity supply check the rotation direction of the fan. It should rotate clockwise. If it rotates counterclockwise, 2 phases on the incoming power supply need to be exchanged.


## Equipotential bonding

Equipotential bonding must be carried out if leak current > 10mA.

## Air inlet and exhaust connection

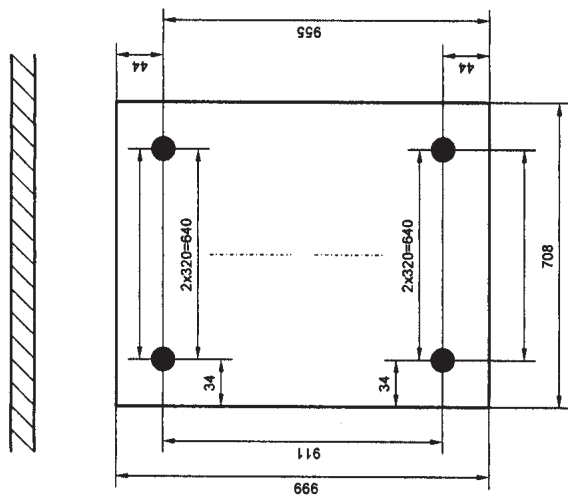
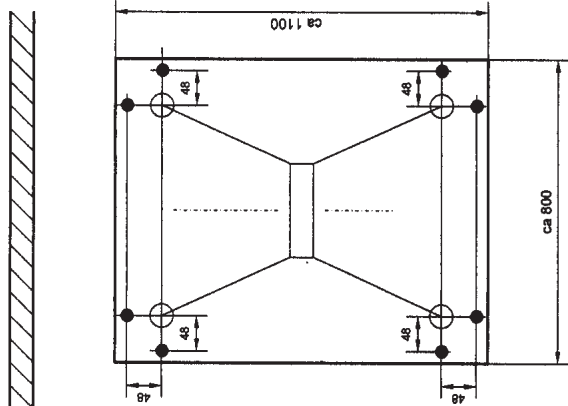
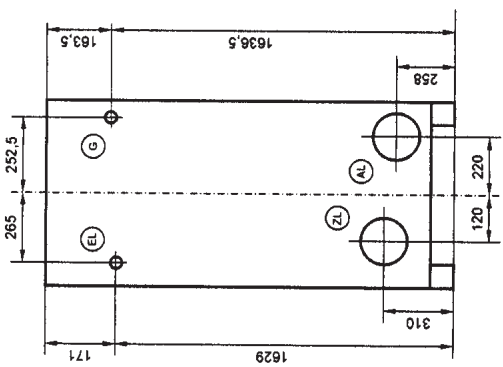
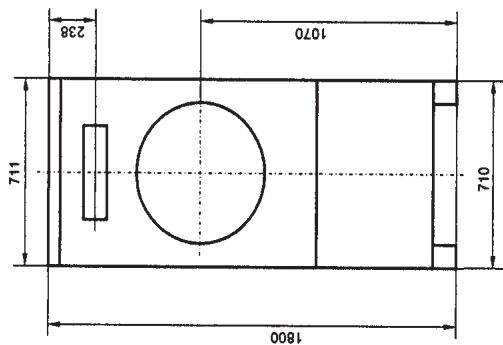
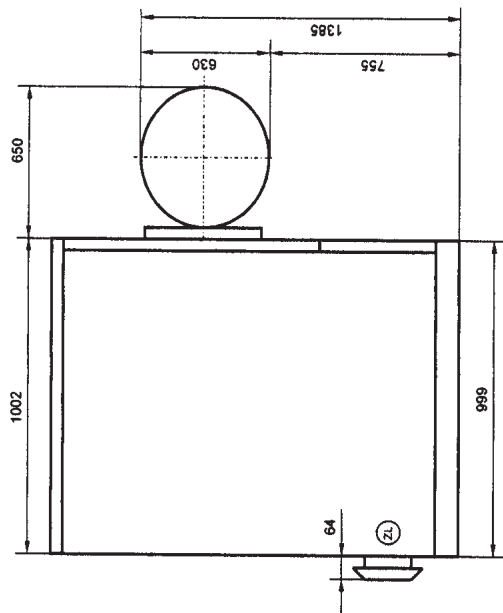
This dryer must only be used when it is connected to a suitable ducting system. The installation site must be adequately ventilated. See the installation instructions supplied.

 Repairs must only be carried out by a Miele Service technician. In the event of a fault please contact the Miele Service Department.

 After setting up and connecting the appliance, ensure that all outer casing parts are correctly fitted back into position.

Model	PT 8303 EL
Height in mm	1800
Width in mm	710
Depth in mm	1063
Depth with door open in mm	1716
Weight in kg	138.8
Drum volume in l	300
Max. capacity in kg (dry laundry)	15
Voltage	See data plate
Connected load	See data plate
Fuse rating	See data plate
Test certificates awarded	See data plate
Max. load bearing in operation in N	1582
Product safety standard	IEC 335-1, IEC 335-2-11
Emission sound pressure level in dB (A), EN ISO 11204	< 70
Sound power level in dB (A), EN ISO 9614-2	< 80

PT830X SL





Please have the model and serial number  
of your appliance available before  
contacting Technical Service.

---

**U.S.A.**

**Miele, Inc.**

**National Headquarters**

9 Independence Way  
Princeton, NJ 08540  
Phone: 800-843-7231  
609-419-9898  
Fax: 609-419-4298  
www.mieleusa.com

**Technical Service & Support**

**Nationwide**

Phone: 800-999-1360  
Fax: 888-586-8056  
TechnicalService@mieleusa.com

**Importer**  
**Miele Limited**

**Headquarters and Miele Centre**

161 Four Valley Drive  
Vaughan, ON L4K 4V8  
www.miele.ca

**Customer Care Centre**

Phone: 800-565-6435  
905-532-2272  
customer-care@miele.ca

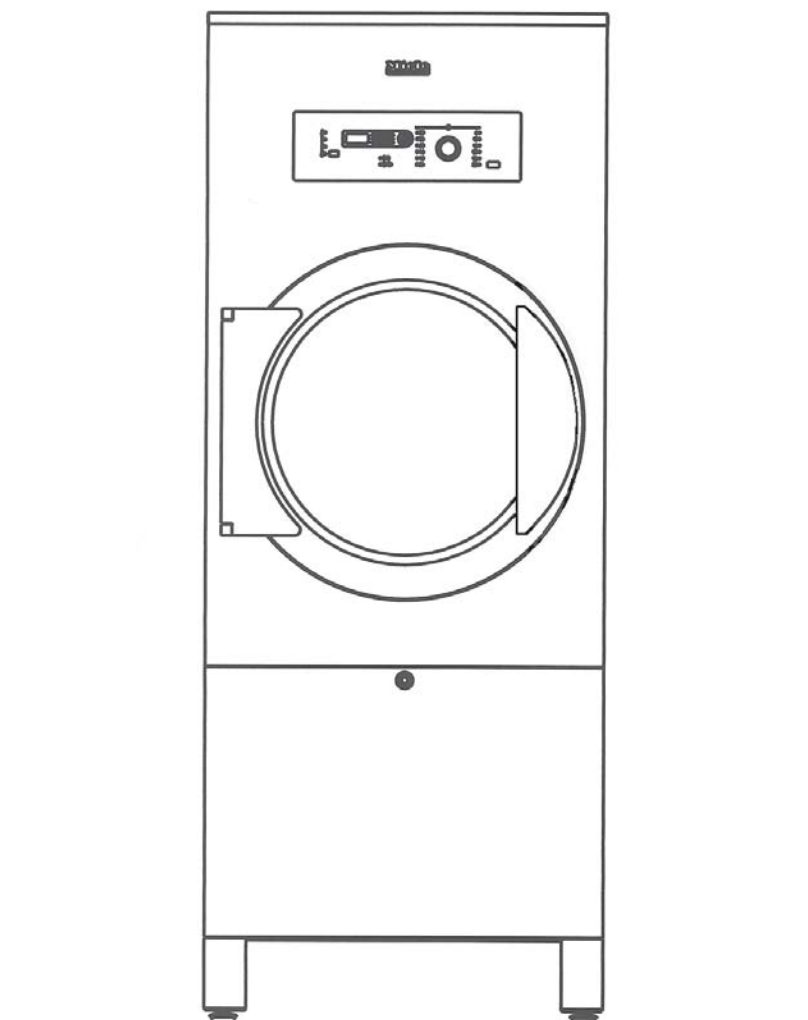
**Germany**  
**Manufacturer**

Miele & Cie. KG  
Carl-Miele-Straße 29  
33332 Gütersloh



[www.miele-shop.com](http://www.miele-shop.com)

Mode d'emploi  
**Sèche-linge**



PT 8303 SL





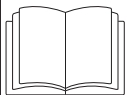
<b>Prescriptions de sécurité et mises en garde</b> .....	4
<b>Votre contribution à la protection de l'environnement</b> .....	6
<b>Description</b> .....	7
<b>Description des appareils</b> .....	8
<b>Séchage</b> .....	9
Préparation du linge .....	9
Avant la mise en service .....	10
Mettre le sèche-linge en marche et charger le linge .....	10
Sélectionner le programme .....	10
Baisser la température .....	11
Fin du programme .....	11
Après le séchage .....	11
Interruption du programme .....	11
Ajout/prélèvement de pièces de linge .....	11
<b>Modification de la programmation</b> .....	12
Modification de certains programmes de séchage par reprogrammation (modification des options standard) .....	12
Exemple de modification de programmation PT 8303 Profitronic B Plus avec commande d'humidité résiduelle .....	12
Fonctions de programmation client .....	13
<b>Anomalies</b> .....	14
Messages d'erreurs .....	14
Autres messages .....	14
<b>Nettoyage et entretien</b> .....	15
Filtre .....	15
<b>Installation et raccordement</b> .....	16
Calage .....	17
Mettre en place la signalétique en français .....	17
Module de communication XKM RS232 .....	17
Branchement électrique .....	18
Arrivée/évacuation d'air .....	18
<b>Caractéristiques techniques</b> .....	19

## Prescriptions de sécurité et mises en garde

### Explication des consignes de sécurité et d'avertissement sur la machine



Veillez lire le mode d'emploi.



Veillez lire les instructions comme la notice d'installation.



Attention, surfaces très chaudes.



Attention, tension jusqu'à 1000 V.



Mise à la terre

Veillez lire le mode d'emploi avant de mettre votre sèche-linge en service. Vous vous protégerez ainsi et éviterez de détériorer votre sèche-linge.

Si d'autres personnes sont formées à la manipulation du sèche-linge, il est impératif de mettre à leur disposition ces prescriptions de sécurité et/ou de leur expliquer.

### Utilisation conforme du sèche-linge

► Ce sèche-linge doit exclusivement être utilisé pour le séchage de textiles lavés dans l'eau et déclarés séchables en machine sur l'étiquette d'entretien.

► **Ne pas sécher les articles suivants au sèche-linge en raison des risques d'incendie** (sauf les textiles autorisés dans les programmes spéciaux):

- qui comportent de la mousse, du caoutchouc ou des matières similaires,
- qui sont traités aux détachants inflammables.
- qui sont imprégnés de gel, laque pour cheveux, dissolvant ou autres restes de même type.
- qui comportent des traces d'huile, de graisse ou d'autres restes de même type (linge de cuisine, cosmétique).
- qui comportent des restes comme de la cire et des produits chimiques (par exemple serpillères, fauberts, torchons).
- le linge ouatiné abîmé, coussin ou veste par exemple.

- les textiles mal nettoyés ou souillés de graisse ou d'huile. Nettoyer les textiles particulièrement sales (vêtements de travail par exemple) avec une lessive spécialisée. Veuillez vous renseigner auprès de votre revendeur de lessive ou de produit de nettoyage.

Ces textiles critiques peuvent **prendre feu**. Il faut donc retirer rapidement la charge lorsque le programme est terminé ou en cas d'interruption de l'alimentation électrique.

Il est conseillé d'installer un extincteur à proximité.

► Le linge ne doit pas être déchargé du sèche-linge avant que le programme de séchage soit fini et surtout **sans phase de refroidissement**.

Le linge peut prendre feu et causer un incendie s'il est rangé ou emballé encore chaud.

► Videz toutes les poches des vêtements de sorte qu'aucun objet inflammable comme un briquet, des allumettes, des bougies ou des articles cosmétiques ne parviennent dans le sèche-linge.

► Si le sèche-linge fonctionne dans un lieu ouvert au public, l'exploitant doit garantir l'utilisation sans danger de l'appareil.

► Le machine doit être exclusivement utilisé en intérieur.

### Sécurité électrique et technique

► Ce sèche-linge ne doit être installé, mis en service et entretenu que par le Service Miele.

► La sécurité électrique de cet appareil n'est garantie que s'il est raccordé à un système de mise à la terre homologué. Il est très important que cette condition de sécurité élémentaire soit remplie. En cas de doute, faites vérifier l'installation par un professionnel. Le fabricant ne peut être tenu pour responsable de dégâts causés par une mise à la terre manquante ou défectueuse à l'installation.

► Le sèche-linge n'est débranché du secteur que lorsque l'interrupteur principal ou le fusible (à prévoir par l'utilisateur) est arrêté et la prise débranchée.

► Les interventions techniques sur les machines électriques doivent être exécutées exclusivement par le Service Miele. Les réparations incorrectes peuvent entraîner de graves dangers pour l'utilisateur.

► Remplacer les pièces défectueuses uniquement par des pièces détachées d'origine Miele, que nous garantissons répondre totalement aux exigences de sécurité que nous imposons à nos machines.

▶ Ce sèche-linge ne doit pas être utilisé dans la même pièce qu'une machine de nettoyage travaillant aux solvants HCFC. La combustion des vapeurs générées entraîne la formation d'acide chlorhydrique qui peut abîmer le linge et la machine. En cas de montage dans des pièces séparées, aucun échange d'air ne doit avoir lieu.

▶ Le sèche-linge doit être alimenté en air frais propre et non chargé en chlore, fluor ou autres vapeurs de solvants.

▶ La prise d'air se trouve à l'arrière du sèche-linge. Cette prise d'air ne doit en aucun cas être obturée. Il ne faut donc jamais recouvrir le couvercle du sèche-linge avec des couvertures ou des toiles.

▶ Ne pas stocker ni utiliser d'essence, de pétrole ou autre produit inflammable à proximité du sèche-linge.

### **Risque d'incendie et d'explosion !**

▶ Si la maintenance n'est pas effectuée à temps et de façon professionnelle, baisse de rendement, panes et risque d'incendie ne sont pas à exclure.

### **Utilisation de l'appareil**

▶ Le sèche-linge ne doit être utilisé que si un conduit d'évacuation est raccordé et que l'aération de la pièce est suffisante.

▶ Les personnes qui ne sont pas en mesure d'utiliser ce sèche-linge en toute sécurité en raison de déficiences physiques, sensorielles ou mentales ne doivent pas l'utiliser sans la surveillance d'une personne responsable.

▶ Ne jamais permettre aux enfants de jouer sur ou à proximité du sèche-linge ou même d'utiliser eux-mêmes le sèche-linge.

▶ Fermez la porte après chaque séchage. Vous éviterez ainsi que :

– des enfants tentent de grimper dans le sèche-linge ou y cachent des objets

– des petits animaux montent dans le sèche-linge

▶ Les machines présentant des dommages au niveau des éléments de commande ou de l'isolation des câbles ne doivent pas être utilisées avant d'avoir été réparées.

▶ Ne pas abîmer, enlever ou désactiver les systèmes de sécurité et les éléments de commande du sèche-linge.

▶ Le sèche-linge ne peut être utilisé que lorsque toutes les pièces d'habillage externes sont montées et qu'il n'y a pas de risque de contact avec des pièces conductrices, en mouvement ou chauffées.

▶ Pendant le séchage, le hublot, le cadre de la porte de chargement chauffent beaucoup, ainsi que linge qui peut être brûlant s'il est retiré trop tôt.

▶ Les éléments de conduction de la vapeur ne doivent pas être touchés. Risque de brûlure.

▶ S'assurer que le tambour est à l'arrêt avant de décharger le linge. Ne jamais mettre les mains dans un tambour qui tourne encore.

▶ Risque d'écrasement et de cisaillement au niveau des charnières de la porte de chargement et de la trappe de filtre. Veuillez utiliser les poignées prévues.

▶ Le rayon d'ouverture complète de la porte ne doit pas être bloqué par une porte ou tout autre obstacle.

▶ Ne jamais faire fonctionner le sèche-linge sans le filtre. **Risque d'incendie !**

Un filtre abîmé doit être remplacé immédiatement. Dans le cas contraire, les peluches obstrueraient les conduites d'air, le chauffage et l'évacuation. Le fonctionnement optimal du sèche-linge ne pourrait plus être garanti.

▶ Les produits de désinfection et de nettoyage contiennent souvent du chlore. Si de tels produits sèchent sur des surfaces en acier inoxydable, le chlore peut attaquer l'acier inoxydable et provoquer la formation de rouille. Pour protéger votre appareil contre la corrosion, utilisez des produits non chlorés pour le lavage/la désinfection ainsi que pour le nettoyage des surfaces en acier inox. Demander confirmation de l'innocuité de son produit au fabricant. Si un produit contenant du chlore est accidentellement répandu sur la surface en inox, rincer immédiatement avec de l'eau puis sécher avec un tissu.

▶ Ne pas utiliser de nettoyeur sous pression ni de jet pour nettoyer la machine.

### **Utilisation d'accessoires**

▶ Les accessoires ne doivent être montés que s'ils sont agréés expressément par Miele. Le montage d'autres pièces exclut le bénéfice de la garantie.

### **Enlèvement de l'ancien appareil**


▶ En cas de mise au rebut de l'ancien sèche-linge, détruire la serrure afin d'éviter que des enfants ne s'y enferment au péril de leur vie.

### **Conservez ce mode d'emploi.**

### Enlèvement de l'emballage

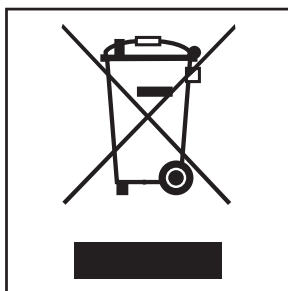
L'emballage protège votre machine des avaries de transport. Les matériaux utilisés sont choisis en fonction de critères écologiques de façon à en faciliter le recyclage.

Le recyclage de l'emballage économise les matières premières et réduit le volume des déchets à éliminer. En principe, votre revendeur reprend l'emballage.

 Tenez les matériaux d'emballage tels que films et sacs en plastique hors de portée des enfants. Risque de suffocation.

### Enlèvement de l'ancien appareil

Les appareils électriques et électroniques contiennent souvent encore des matériaux recyclables. Ils contiennent également des matériaux nocifs, nécessaires au bon fonctionnement et à la sécurité de l'appareil. Ces matériaux peuvent être dangereux pour les hommes et l'environnement s'ils restent dans la collecte de déchets ou s'ils sont mal manipulés. Ne jetez par conséquent en aucun cas votre appareil avec les déchets.



Veillez faire en sorte que votre ancien appareil soit évacué conformément aux règlements locaux sur les déchets.

Gardez l'ancien appareil hors de portée des enfants jusqu'à son enlèvement, pour éviter tout accident. Le mode d'emploi vous fournit des indications à ce sujet sous la rubrique "Prescriptions de sécurité et mises en garde".

### Conseils pour l'économie d'énergie

Essorez le linge en lave-linge avec la vitesse d'essorage maximale. Vous économiserez ainsi du temps et de l'électricité au séchage.

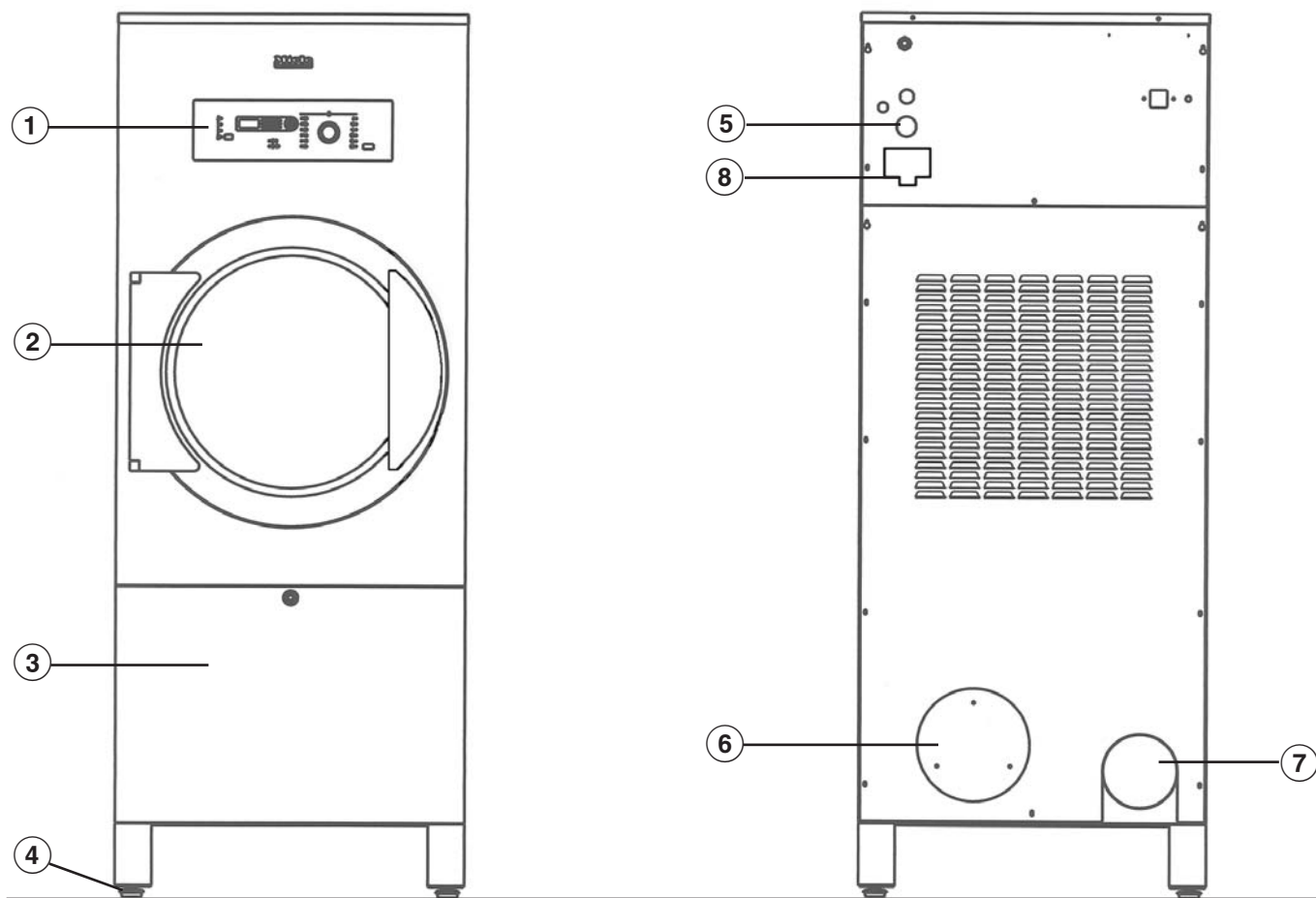
Si le linge est rincé à l'eau chaude lors du dernier rinçage en machine, l'humidité résiduelle réduite et la chaleur résiduelle du linge permettent un temps de traitement plus court et donc une économie d'énergie.

Triez le linge :

- suivant les fibres/textiles,
- suivant le degré de séchage,
- suivant la taille et l'humidité résiduelle.

Utiliser la charge maximum. Il n'est pas rentable de trop peu charger la machine ni de la surcharger car cela altère le résultat de séchage et peut abîmer le linge. La consommation d'énergie rapportée à la quantité de linge sera ainsi optimisée.

Prévoyez une aération de la pièce suffisante.



① **Panneau des commandes**

② **Porte de chargement**

Pour ouvrir la porte, tirer sur la poignée.

③ **Trappe de filtre**

Une clé est nécessaire pour ouvrir la trappe de filtre.

④ **4 pieds à vis réglables**

⑤ **Raccordement électrique**

⑥ **Prise d'air**

⑦ **Raccord d'évacuation**

⑧ **Logement pour boîtier de communication (option)**

# Description des appareils

## Panneau des commandes PT 8303 Profitronic B Plus avec commande d'humidité résiduelle



- 1 Affichage digital "Humidité résiduelle"
- 2 Affichage "Déroulement de programme"
- 3 Touche "Délicat"
- 4 Diode anomalie "Evacuation"
- 5 Diode anomalie "Filtre"
- 6 Touche "START/STOP"
- 7 Sélecteur de programme"
- 8 Interrupteur "Marche/Arrêt"

### Interrupteur "Ⓛ" "Marche-Arrêt"

Pour enclencher/arrêter la machine.

### Touche "☞" "Délicat"

Pour réduire la température de séchage (d'env. 20°C) pour les textiles sensibles (par ex. en acrylique). La diode correspondante s'allume.

### Sélecteur de programme

Le sélecteur de programme permet de choisir le programme de séchage.

A : Non repassable	B : Blanc/Couleurs
Séchage normal	Séchage intensif
Humidité 10%	Séchage normal
Humidité 20%	Humidité 20%
Fin	Humidité 25%
Laine	Humidité 40%
Minuterie chaud	Minuterie froid

### Touche "START/STOP"

Pour démarrer ou arrêter le programme, appuyer sur cette touche.

### Affichage digital

Affiche l'humidité résiduelle choisie pour le programme en %.

Après le démarrage du programme, l'humidité résiduelle actuelle est affichée jusqu'à la fin du programme.

Les messages de défaut sont également affichés, voir Elimination des anomalies.

Un h indique le délestage (en option).

### Affichage de déroulement de programme

Indique les trois phases de déroulement du programme. Le champ correspondant s'allume en jaune

☰	<b>Séchage</b>
🌡️	<b>Refroidissement</b>
🔄	<b>Fin du programme / Infoissable</b>

### Diode d'anomalie ☞ "Evacuation"

S'allume en cas d'anomalie au niveau de l'évacuation.

### Diode d'anomalie 🌀 "Nettoyer le filtre"

S'allume lorsque le filtre doit être nettoyé.

## Préparation du linge

Tous les textiles ne peuvent pas être séchés en sèche-linge. Veuillez donc suivre les indications sur l'étiquette d'entretien.

Signification des symboles :

 = séchage à température normale

 = séchage à faible température

 = ne pas sécher en machine.

Triez le linge suivant le type de fibre et de tissage. Vous obtiendrez ainsi un résultat de séchage régulier et éviterez d'abîmer les textiles.

### **Ne pas sécher les articles suivants au sèche-linge en raison des risques d'incendie**

(sauf les textiles autorisés dans les programmes spéciaux):

- qui comportent de la mousse, du caoutchouc ou des matières similaires
- qui sont traités aux détachants inflammables
- qui sont imprégnés de gel, laque pour cheveux, dissolvant ou autres restes de même type
- qui comportent des traces d'huile, de graisse ou d'autres restes de même type (linge de cuisine, cosmétiques)
- qui comportent des restes comme de la cire et des produits chimiques (par exemple serpillères, fauberts, torchons).
- linge ouatiné abîmé, coussin ou veste par exemple.
- textiles mal nettoyés ou souillés de graisse ou d'huile. Nettoyer les textiles particulièrement sales (vêtements de travail par exemple) avec une lessive spécialisée. Veuillez vous renseigner auprès de votre revendeur de lessive ou de produit de nettoyage.

### **Les textiles suivants ne doivent pas être séchés :**

Les textiles en laine/laine mélangée ont tendance à feutrer. Ils doivent impérativement être séchés en programme "Laine".

Les textiles en pur lin peuvent devenir rugueux au sèche-linge. Veuillez suivre les conseils du fabricant.

### **Conseils importants relatifs au séchage :**

Les grandes pièces de métal (boucles, crochets, oeillets, tirette de fermeture éclair, etc.) doivent être enveloppées dans un tissu avant le séchage. Ceci permet d'éviter d'abîmer le tambour (rayures, bosses).

Dans le cas des textiles avec fermeture éclair fermée, les électrodes de détection sur les aubes risquent d'être court-circuitées. Le processus de séchage pourrait alors être arrêté trop tôt ou trop tard. Ne séchez ces textiles que fermeture éclair ouverte.

Les textiles en maille (par ex. t-shirts, sous-vêtements) rétrécissent. Un séchage excessif peut les faire rétrécir davantage. Il ne faut donc pas sélectionner le programme "Blanc/couleurs intensif" pour ce type de textiles.

Le linge amidonné peut être séché en machine. Sélectionner le programme dont l'humidité résiduelle est appropriée pour le repassage avec un fer ou une repasseuse.

Triez le linge suivant le degré de séchage souhaité. Il n'est pas nécessaire de trier par taille.

Fermer les couettes et les oreillers afin que les petites pièces de linge ne s'y glissent pas.

Utiliser la charge maximum. Il n'est pas rentable de trop peu charger la machine. La surcharge altère le résultat de séchage et peut abîmer le linge.

Si le linge est rincé à l'eau chaude lors du dernier rinçage en machine, l'humidité résiduelle réduite et la chaleur résiduelle du linge permettent un temps de traitement plus court et donc une économie d'énergie.



# Séchage

Ce sèche-linge ne doit être installé et mis en service que par le Service Miele.

## Avant la mise en service

Avant de charger le sèche-linge, vous devez nettoyer l'intérieur du tambour avec un tissu doux et sec.

## Mettre le sèche-linge en marche et charger le linge

- Enclencher l'interrupteur principal (côté installation).
- Presser l'interrupteur "ⓘ" "Marche-Arrêt"
- Ouvrir la porte.
- Charger le linge.  
Défroissez le linge trié avant de le charger dans le tambour.

Ne pas oublier de boule doseuse ou d'autre objet de même type dans le linge.

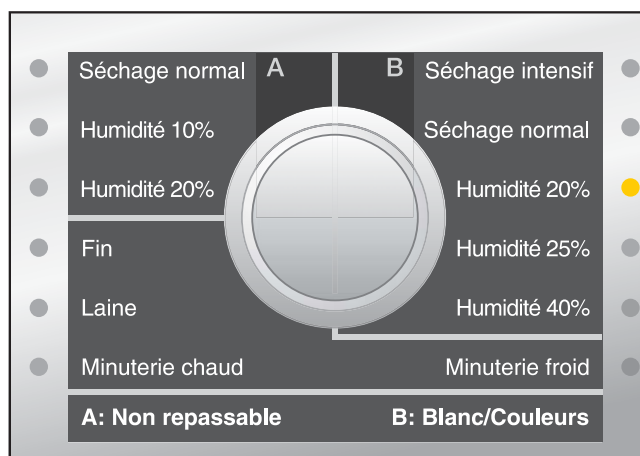
## Capacité de linge (linge sec)

PT 8303
Contenance du tambour en litres
300
Blanc/Couleurs
12-15 kg
Synthétique
8,0 kg
Fin
3,0 kg
Laine
6,0 kg

Ne pas coincer de pièces de linge dans la porte vous risqueriez de les abîmer.

- fermer la porte.

## Sélectionner le programme



- Régler le programme souhaité avec le sélecteur rotatif "Sélection programme". La diode correspondante s'allume.

L'affichage indique l'humidité résiduelle choisie pour le programme en %.

### Blanc/Couleurs

pour sécher les textiles coton/lin

- **Séchage intensif** 0 % d'humidité résiduelle + 10 min.
- **Séchage normal** 0 % d'humidité résiduelle
- **Humidité 20 %** 20 % d'humidité résiduelle
- **Humidité 25 %** 25 % d'humidité résiduelle
- **Humidité 40 %** 40 % d'humidité résiduelle

### Non repassable

Pour sécher les textiles synthétiques/mélangés.

- **Séchage normal** 0 % humidité résiduelle
- **Humidité 10 %** 10 % humidité résiduelle
- **Humidité 20 %** 20 % humidité résiduelle

**Fin** 20 % humidité résiduelle

Pour sécher les fibres synthétiques, la rayonne.

**Laine** 5 minutes de temps de séchage

Pour sécher la laine et la laine mélangée lavable en machine et résistante avec symbole Woolmark.

**Minuterie chaud** temps de séchage 20 minutes à haute température

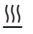


**Minuterie froid** temps de séchage 15 minutes pour aérer les textiles.



## Baisser la température

- Presser la touche  "Délicat" pour les textiles délicats (par ex. en acrylique).
- Presser la touche "START/STOP", le programme de séchage commence.

L'affichage digital indique l'humidité actuelle jusqu'à la fin du programme.




	<b>Séchage</b>
	<b>Refroidissement</b>
	<b>Fin du programme / Infoissable</b>

L'affichage "Déroulement de programme" indique le déroulement du programme en trois phases, la phase en cours est allumée en jaune.

## Fin du programme

La fin du programme est indiquée par le retentissement du signal sonore. "  " est affiché.

Ensuite, le refroidissement du linge est effectué.

	<b>Séchage</b>
	<b>Refroidissement</b>
	<b>Fin du programme / Infoissable</b>

Si le linge n'est pas retiré du tambour immédiatement après la fin du programme, la fonction Infoissable est activée.

Le tambour tourne à intervalle régulier afin d'éviter que des plis se forment.

## Après le séchage

### Après la fin du programme


- Ouvrir la porte.


Si la porte reste fermée, le sèche-linge se remet brièvement en marche toutes les 30 minutes pour des raisons de sécurité.

- Retirer le linge.  
Ne pas laisser de pièces de linge dans le tambour. Si du linge reste dans l'appareil, il peut être endommagé au prochain séchage par surséchage.
- Contrôler et nettoyer le filtre à peluches le cas échéant. Fermer la trappe de filtre, risque de se prendre les pieds dedans.

## Interruption du programme


Le programme est interrompu si :

- l'interrupteur  "Marche/Arrêt" est activé,
- la porte est ouverte,
- la trappe de filtre est ouverte.

Pour continuer le programme, réappuyer sur l'interrupteur  "Marche/Arrêt", fermer la porte ou la trappe de filtre.

L'affichage indique l'humidité résiduelle de consigne en clignotant et un refroidissement de sécurité est effectué.


- Appuyer sur la touche "START/STOP".

 Le linge ne doit pas être déchargé du sèche-linge avant que le programme de séchage soit fini et surtout **sans phase de refroidissement**.

Le linge très chaud peut s'enflammer et causer un incendie s'il est rangé ou emballé encore chaud.

## Ajout/prélèvement de pièces de linge

La porte de chargement peut être ouverte pendant le séchage afin d'ajouter du linge ou d'en retirer.

 S'assurer que le tambour est à l'arrêt avant de décharger le linge. Ne jamais mettre les mains dans un tambour qui tourne encore.

### Pour poursuivre le programme de séchage :


- fermer la porte.

L'affichage digital indique l'humidité résiduelle de consigne en clignotant.

Le ventilateur peut s'enclencher automatiquement si la température à l'intérieur du sèche-linge est élevée.

- Actionner la touche "START/STOP" pour poursuivre le programme.

### Si aucun autre programme de lavage n'est prévu :

- fermer la porte.
- Presser l'interrupteur  "Marche-Arrêt" pour arrêter le sèche-linge.
- Arrêter l'interrupteur principal (côté installation).

# Modification de la programmation

## Modification de certains programmes de séchage par reprogrammation (modification des options standard)

Certains programmes de séchage peuvent être modifiés et adaptés à des besoins particuliers ou à des habitudes de travail.


### Conditions :

- Le sèche-linge est arrêté avec l'interrupteur "Marche/Arrêt".
- La porte est fermée.

### Accès au mode de programmation :

- Maintenir la touche "START/STOP" enfoncée et enclencher le sèche-linge avec l'interrupteur "Marche/Arrêt".
- Maintenir la touche "START/STOP" jusqu'à ce que l'anneau lumineux de la touche reste allumé sans clignoter.
- Relâcher la touche "START/STOP".
- P et 1. clignotent alternativement dans l'affichage digital.

La sélection des fonctions de programmation P1 à P27 (voir fonctions de programmation client) s'effectue en tournant le sélecteur rotatif vers la droite.

La sélection des fonctions de programmation P 1 à P 27 (voir fonctions de programmation client) peut aussi s'effectuer en pressant la touche  "Délicat".


La sélection de l'option de programmation par exemple *U* ou 1 s'effectue avec la touche "START/STOP".

Pour vérifier dans quelle fonction de programmation on se trouve, il faut regarder la diode "Délicat" sur les sèche-linge Profitronic B Plus. Un clignotement court indique une unité, un clignotement long une dizaine.

Exemples : pour la fonction de programmation 5 la diode clignote 5 fois brièvement. Pour la fonction de programmation 10 la diode clignote 1 fois longuement. Pour la fonction de programmation 45 la diode clignote quatre fois longuement et cinq fois brièvement.

## Exemple de modification de programmation PT 8303 Profitronic B Plus avec commande d'humidité résiduelle

### P 2 Modifier le signal sonore de fin de programme (voir fonctions de programmation client)

- Tourner le sélecteur "Sélection programme" d'un cran vers la droite.
- La diode  "Délicat" clignote 2 x brièvement.
- P et 1. clignotent alternativement dans l'affichage digital.

Option de programmation *U* = désactivée - 1 = activée.

- Pour modifier le chiffre de 1 à *U* appuyer sur "START/STOP".

### Pour enregistrer la programmation :


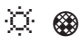
- arrêter le sèche-linge avec l'interrupteur "Marche/Arrêt".

### Fonctions de programmation client


N°	Fonction de programmation	Standard	Option de programmation
P 1	Volume du signal sonore	1	0 = faible 1 = fort
P 2	Signal sonore fin de programme	1	0 = désactivé 1 = activé
P 3	Fonction mémoire	1	0 = désactivé 1 = activé
P 4	Bip d'activation des touches	0	0 = désactivé 1 = activé
P 5*	Réglage de la résistivité	0	0 = normal 1 = faible
P 6	Ventilateur et chauffage pendant les pauses	1	0 = désactivé 1 = activé
P 7	BC et minuterie froid/chaud inversion activée (0 à 99 s)	60	0 = 0 sec 99 = 99 sec
P 8	BC et minuterie froid/chaud inversion désactivée (3 à 99 s)	3	3 = 3 sec 99 = 99 sec
P 9	Non repassable inversion activée (0 à 99 sec.)	60	0 = 0 sec 99 = 99 sec
P 10	Non repassable inversion désactivée (3 à 99 sec.)	3	3 = 3 sec 99 = 99 sec
P 11	Laine temps (1 à 99 min.)	5	1 = 1 min 99 = 99 min
P 12	Non repassable inversion activée (0 bis 99 sec.)	20	0 = 0 sec 99 = 99 sec
P 13	Laine inversion désactivée (3 à 99 sec.)	10	3 = 3 sec 99 = 99 sec
P 14	Fin inversion activée (0 bis 99 sec.)	27	0 = 0 sec 99 = 99 sec
P 15	Fin inversion désactivée (3 à 99 sec.)	3	3 = 3 sec 99 = 99 sec
P 16	Minuterie froid (1 à 99 min.)	15	1 = 1 min 99 = 99 min
P 17	Minuterie chaud (1 à 99 min.)	20	1 = 1 min 99 = 99 min
P 19	Humidité résiduelle pour programme 1 Blanc/Couleurs Séchage intensif	1	1 = -2% 2 = -4% 0 = 0%
P 20	Humidité résiduelle pour programme 2 Blanc/Couleurs Séchage normal	1	1 = 0% 2 = -2% 0 = 2%
P 21	Humidité résiduelle pour programme 3 Blanc/Couleurs Humidité 20 %	1	1 = 20% 2 = 18% 0 = 22%
P 22	Humidité résiduelle pour programme 4 Blanc/Couleurs Humidité 25 %	1	1 = 25% 2 = 23% 0 = 27%
P 23	Humidité résiduelle pour programme 5 Blanc/Couleurs Humidité 40 %	1	1 = 40% 2 = 38% 0 = 42%
P 24	Humidité résiduelle pour programme 9 Fin Séchage normal	1	1 = 20% 2 = 18% 0 = 22%
P 25	Humidité résiduelle pour programme 10 Non repassable Humidité 20 %	1	1 = 20% 2 = 18% 0 = 22%
P 26	Humidité résiduelle pour programme 11 Non repassable Humidité 10 %	1	1 = 10% 2 = 8% 0 = 12%
P 27	Humidité résiduelle pour programme 12 Non repassable	1	1 = 0% 2 = -2% 0 = 2%

## Anomalies

### Messages d'erreurs

Affichage	Cause	Solution
	Suppression dans le conduit d'évacuation Défaut d'étanchéité dans le conduit d'air.	Contrôler le conduit d'évacuation. Service Miele
	Le filtre est obstrué	Nettoyer le filtre.
Impossible de démarrer le sèche-linge	La trappe de filtre n'est pas bien fermée.	Bien tourner la fermeture de trappe de filtre au maximum dans le sens des aiguilles d'une montre.

### Autres messages

	Circuit de délestage Le sèche-linge continue à fonctionner sans chauffage, le temps restant ne change plus.	Dès que la déconnexion de délestage est terminée, le programme est poursuivi.
--	--	---

En cas de panne, veuillez contacter le Service Miele.

Veuillez préparer le modèle, le numéro de série (SN) et la référence article (M.-Nr.).

Ces données sont indiquées sur la plaque signalétique :

<b>Model</b>	
<b>SN:</b>	/ 0 0 0 0 0 0 0 0
<b>Art.-Nr.</b>	<b>Mat.-Nr.</b>
<b>IBN</b>	

Elle est soit en haut à l'intérieur de la porte, soit à l'arrière de l'appareil, en haut.

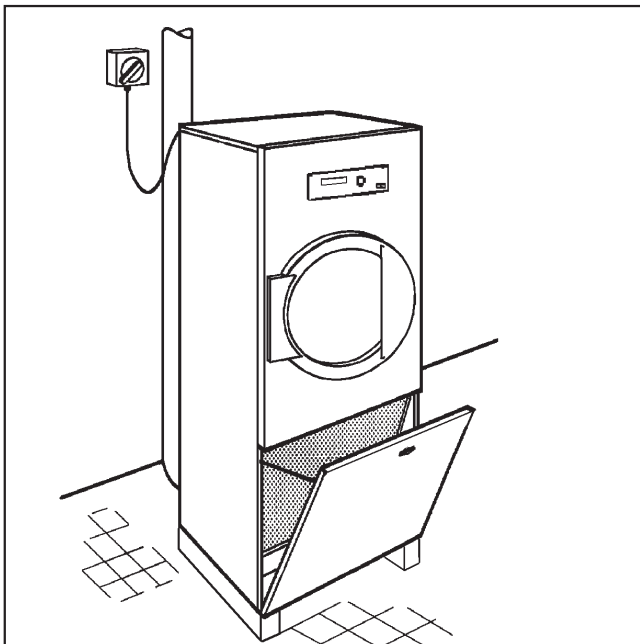
## Filtre

⚠ Ne jamais faire fonctionner le sèche-linge sans le filtre. **Risque d'incendie !**  
Un filtre abîmé doit être remplacé immédiatement. Dans le cas contraire, les peluches obstrueraient les conduites d'air, le chauffage et l'évacuation. Le fonctionnement optimal du sèche-linge ne pourrait plus être garanti.

Les peluches viennent se fixer sur le filtre. Nettoyer les filtres au moins une fois par jour et lorsque ☞ est affiché.

En cas de forte présence de peluches, il peut être nécessaire de nettoyer le filtre plusieurs fois par jour.

Ne pas enlever le filtre pour le nettoyer. Attention de ne pas endommager le filtre.



- Ouvrir la trappe d'accès au filtre
- Enlever les peluches du filtre à la main (ne pas utiliser d'objet pointu ou comportant une arête vive).

## Sèche-linge

Avant de commencer tout nettoyage ou entretien, le sèche-linge doit être arrêté avec l'interrupteur principal (côté installation).

⚠ Ne pas utiliser de nettoyeur sous pression ni de jet pour nettoyer la machine.

- Nettoyer la carrosserie, le bandeau de commande et les pièces en plastique uniquement avec un produit nettoyant **doux** ou un tissu lisse humide, puis sécher.
- Après avoir séché des vêtements amidonnés, essuyer l'intérieur du tambour avec un linge humide.

Ne **jamais** nettoyer le sèche-linge avec un produit abrasif.

Vérifier le joint et la fermeture de la porte de chargement et de la trappe d'accès au filtre.

La **prise d'air** se trouve à l'arrière du sèche-linge. Cette prise d'air ne doit en aucun cas être obturée. Il ne faut donc jamais recouvrir le couvercle du sèche-linge avec des couvertures ou des toiles.

L'environnement du sèche-linge, en particulier celui de la prise d'air, doit être débarrassé des peluches afin que celles-ci ne soient pas aspirées. Les peluches aspirées se déposent dans le sèche-linge et peuvent en perturber le fonctionnement.

Faites contrôler les dépôts de peluches par le Service Miele **une fois par an** et si nécessaire faites-les nettoyer :

- batterie de chauffe et conduit de chauffage (chauffage électrique)
- tout l'intérieur du sèche-linge
- les pales du ventilateur d'évacuation

⚠ Si la maintenance n'est pas effectuée à temps et de façon professionnelle, baisse de rendement, pannes et risque d'incendie ne sont pas à exclure.

## Installation et raccordement

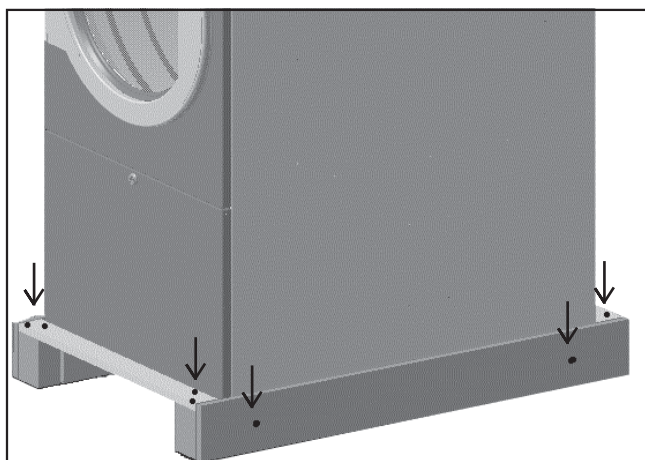
Ce sèche-linge ne doit être installé et mis en service que par le Service Miele.

Il doit être installé en conformité avec les règles applicables et ne doit être utilisé que dans une pièce suffisamment aérée.

Veuillez lire les notices avant d'installer et d'utiliser cet appareil.

N'installez pas votre sèche-linge dans une pièce exposée au gel.

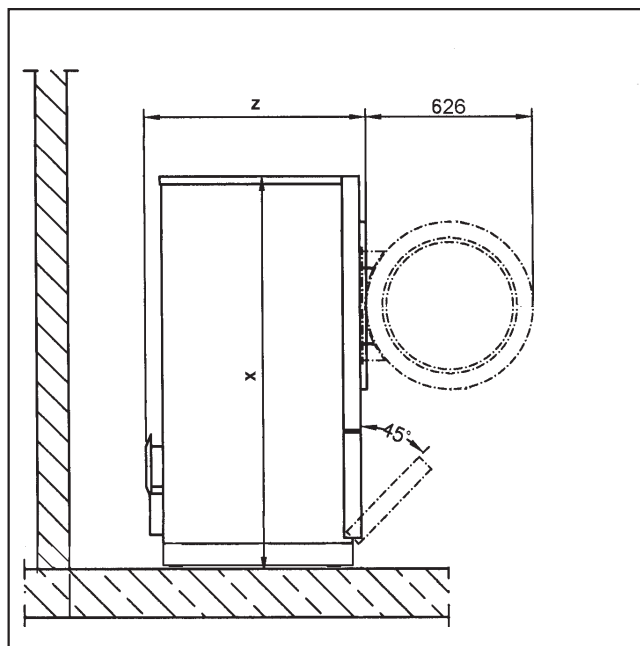
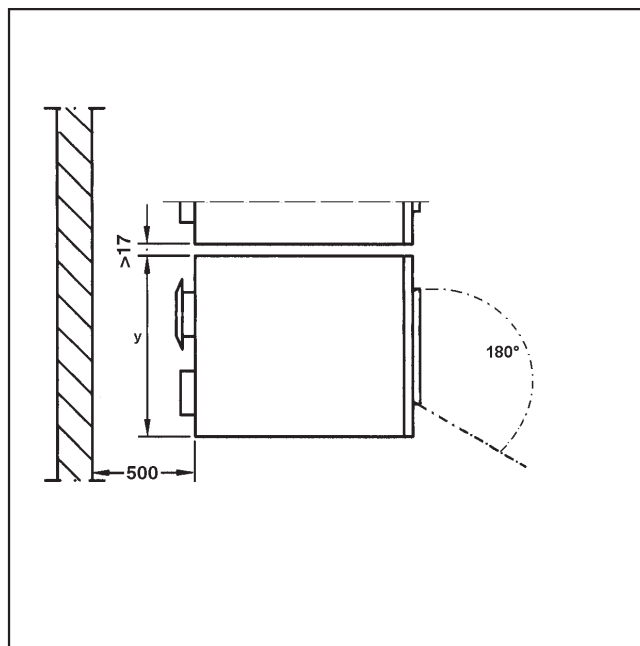
Transporter le sèche-linge avec un chariot élévateur jusqu'à son emplacement d'installation. **Attention, risque de basculement !**



Enlever l'emballage de transport. Dévisser les vis (Torx T20 et 30) de l'habillage en bois et enlever l'habillage en bois.

Soulever le sèche-linge avec le chariot élévateur et monter les pieds fournis (x 4).

Afin de faciliter les interventions du service après-vente, respecter les cotes minimales et la distance par rapport au mur indiquées.

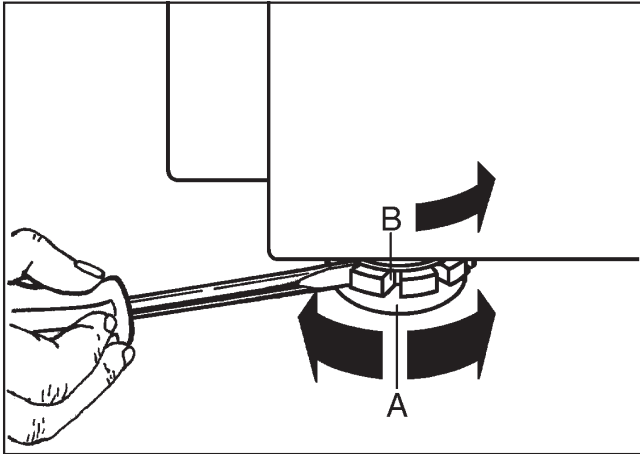


	PT 830x
<b>x</b>	1800 mm
<b>y</b>	710 mm
<b>z</b>	1090 mm

## Calage

Il n'est pas nécessaire de disposer le sèche-linge sur un socle. Les inégalités du sol doivent être compensées.

Pour un bon fonctionnement, le sèche-linge doit être installé parfaitement d'aplomb.



Régler l'aplomb du sèche-linge en ajustant les pieds vissables **A**.

Après l'ajustage, les rondelles **B** doivent être serrées à fond contre la tôle de fond.

## Réduction du niveau sonore

Le sèche-linge est équipé d'un ventilateur d'évacuation qui émet un certain bruit pendant le fonctionnement.

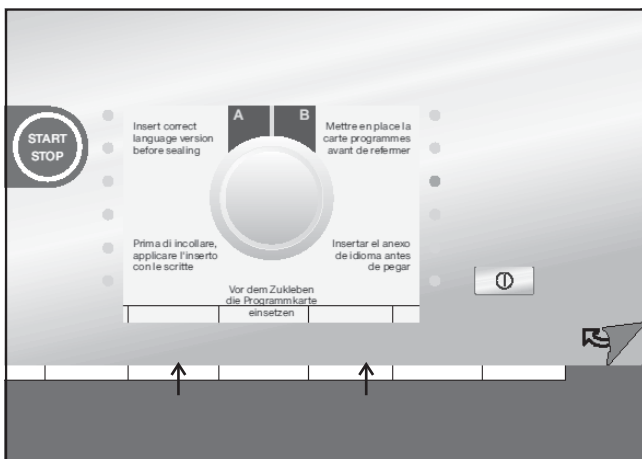
Pour réduire l'émission sonore, il est possible de monter un silencieux sur le tuyau d'évacuation du sèche-linge. (voir notice d'installation ; disponible parmi les accessoires Miele)

## Module de communication XKM RS232

Le module de communication permet le raccordement d'un ordinateur à la machine par une interface de série.

Le logement du boîtier de communication se trouve sur le côté du lave-linge.

## Mettre en place la signalétique en français



Retirer le film de protection du panneau des commandes.

Soulever légèrement le bas du film de panneau des commandes sous le sélecteur de programme.

Insérer la signalétique et l'ajuster.

Tirer la bande placée dessous et coller le film de panneau des commandes en bas.

# Installation et raccordement

## Branchement électrique

L'équipement électrique du sèche-linge correspond aux normes IEC 335-1 et IEC 335-2-11.

Tous les travaux concernant le branchement électrique doivent être effectués par un électricien agréé. Le branchement électrique doit être conforme aux normes en vigueur.

Caractéristiques techniques, voir plaque signalétique ou schéma électrique fourni. Le **schéma électrique** est joint à l'appareil.

Le sèche-linge ne doit fonctionner qu'à la tension, à la fréquence et avec les fusibles indiqués sur la **plaque signalétique**.

Branchement par prise de courant en fonction des réglementations nationales (la prise doit être accessible après l'installation de l'appareil). Un contrôle de sécurité électrique lors de la mise en service de l'appareil par exemple pourra ainsi être effectué sans problème.

Pour le raccordement fixe, une déconnexion tous pôles doit être présente côté installation. Ce dispositif peut être constitué d'un interrupteur à ouverture de contact de min. 3 mm. Il peut s'agir d'un disjoncteur automatique, de fusibles ou de contacteurs.

En cas de remplacement du câble électrique, utiliser une pièce de rechange Miele d'origine ou un câble avec douille sertie sur l'extrémité des fils.

Si le lave-linge est débranché, le dispositif de sectionnement doit être verrouillable ou le point de sectionnement doit pouvoir être surveillé.

Une fois le raccordement effectué le sens de rotation de la turbine du ventilateur doit être vérifié. Elle doit tourner dans le sens des aiguilles d'une montre. Si elle tourne dans le sens contraire des aiguilles d'une montre, deux phases doivent être inversées sur la prise réseau.


## Liaison équipotentielle

Effectuer une liaison équipotentielle en cas de courant de fuite > 10 mA.

## Arrivée/évacuation d'air

Le sèche-linge ne doit être utilisé que si un conduit d'évacuation est raccordé et que l'aération de la pièce est suffisante.

Voir le plan d'installation fourni.

 Une fois la machine installée, il faut impérativement reposer toutes les pièces d'habillage externes.

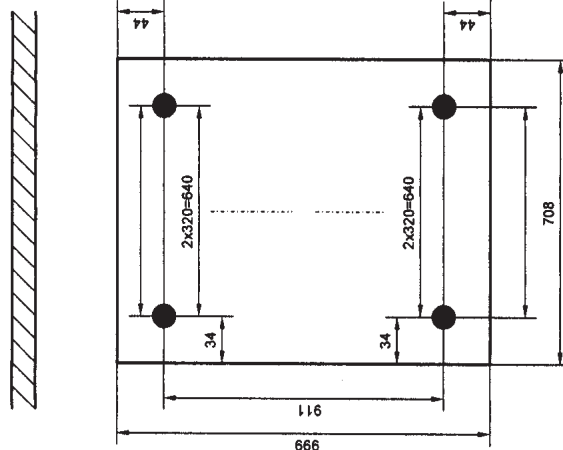
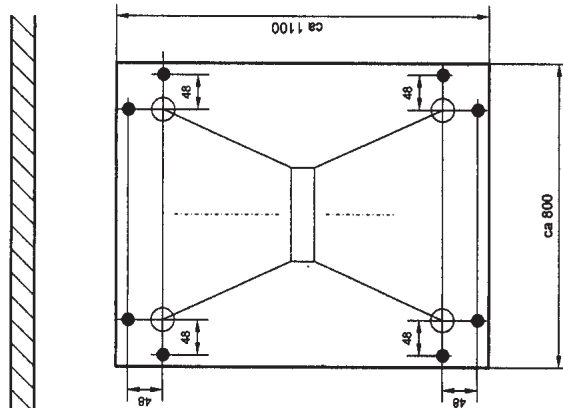
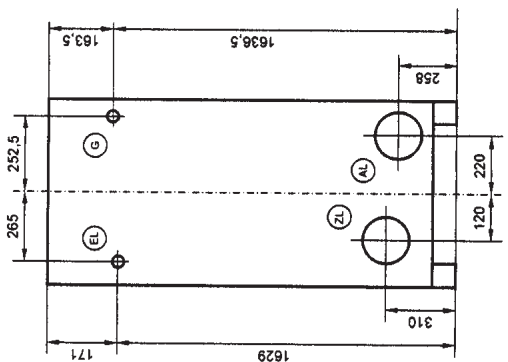
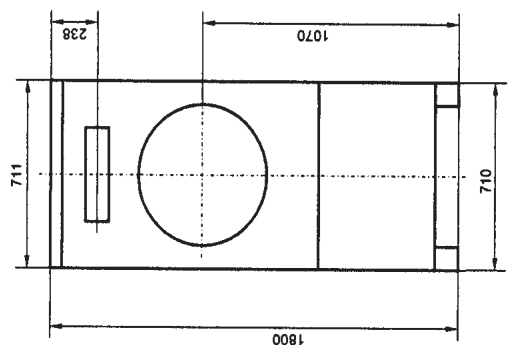
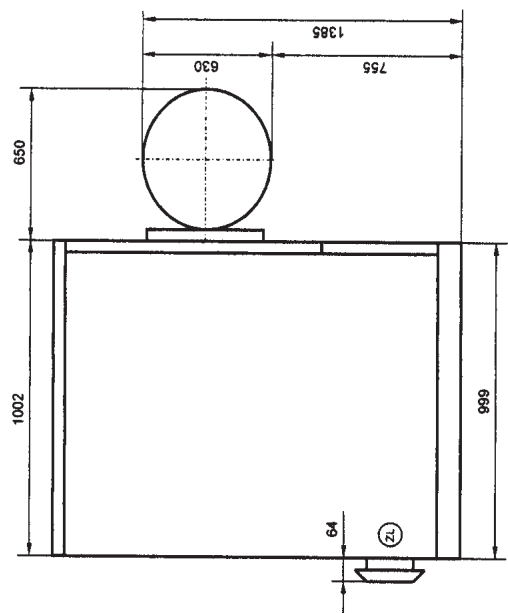
 Seuls des professionnels sont autorisés à réparer les détériorations. Adressez-vous immédiatement à Service Miele.



## Caractéristiques techniques

Type	PT 8303 EL
Hauteur en mm	1800
Largeur en mm	710
Profondeur en mm	1063
Profondeur porte ouverte en mm	1716
Poids en kg	138,8
Contenu du tambour en l	300
Capacité maxi en kg (linge sec)	15
Tension	Voir plaque signalétique
Puissance de raccordement	Voir plaque signalétique
Fusible	Voir plaque signalétique
Labels de conformité	Voir plaque signalétique
Charge au sol max. en fonctionnement en N	1582
Norme de sécurité produit	IEC 335-1, IEC 335-2-11
Niveau de pression acoustique en dB (A), EN ISO 11204	< 70
Niveau de puissance acoustique en dB (A), EN ISO 9614-2	< 80

PT830X SL





**Canada**  
**Importer**  
**Miele Limited**

**Professional Division**  
161 Four Valley Drive  
Vaughan, ON L4K 4V8  
Phone: 1-888-325-3957  
Fax: 1-800-803-3366  
[www.mieleprofessional.ca](http://www.mieleprofessional.ca)  
[professional@miele.ca](mailto:professional@miele.ca)

**Miele Professional Technical Service**  
Phone: 1-888-325-3957  
Fax: 1-800-803-3366  
[serviceprofessional@miele.ca](mailto:serviceprofessional@miele.ca)

**Germany**  
**Manufacturer**  
Miele & Cie. KG  
Carl-Miele-Straße 29  
33332 Gütersloh