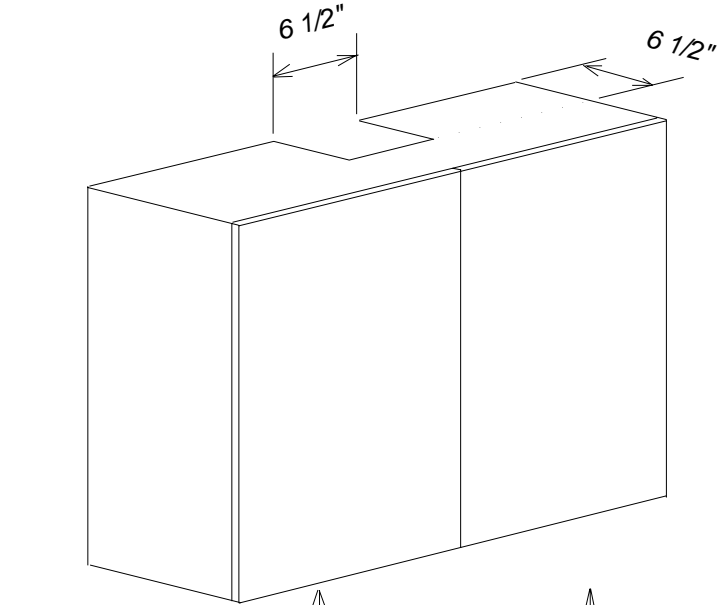
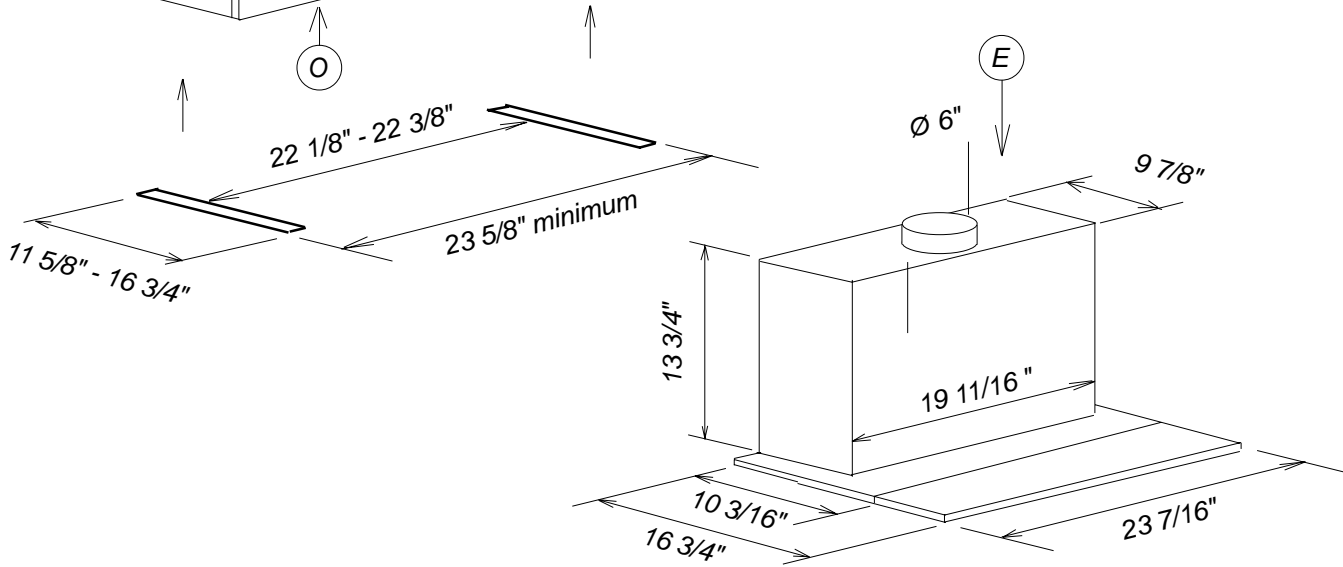
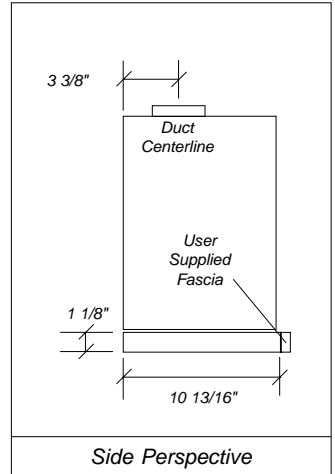


# Product and Cut-out Dimensions Built-in Ventilation System DA3160



**IMPORTANT INFORMATION**  
Unit must be installed through the front of the cabinet. Cabinet should not be designed with lower rail.



Location Codes	
E -	5 foot - 120 Volt - 15 Amp 3-wire molded plug power supply connects right rear top.
O -	Standard 110 Volt outlet
Notes	
<ul style="list-style-type: none"> <li>• All installations must be done in accordance with local codes.</li> <li>• Center unit over cooking surface</li> <li>• Distance "S" is determined by the cooking surface. Minimum distance "S" is:                             <ul style="list-style-type: none"> <li>- 24" for electric surfaces</li> <li>- 24" for gas surfaces based on BTU output (see hood instructions for details)</li> </ul> </li> </ul>	

NOTE: Drawing is not to scale.  
SPECIFICATION SHEETS 011208